



ALLiHOME

MM MOUNTING
MATERIALS

The right mounting system for every roof.



Want to know more?

Scan the QR code to learn more about ALLiHOME.

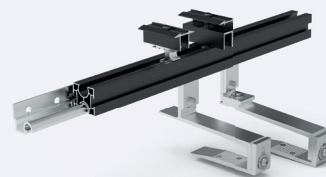
www.allimexgreenpower.com

DISCOVER OUR OTHER MOUNTING SYSTEMS



ALLiN

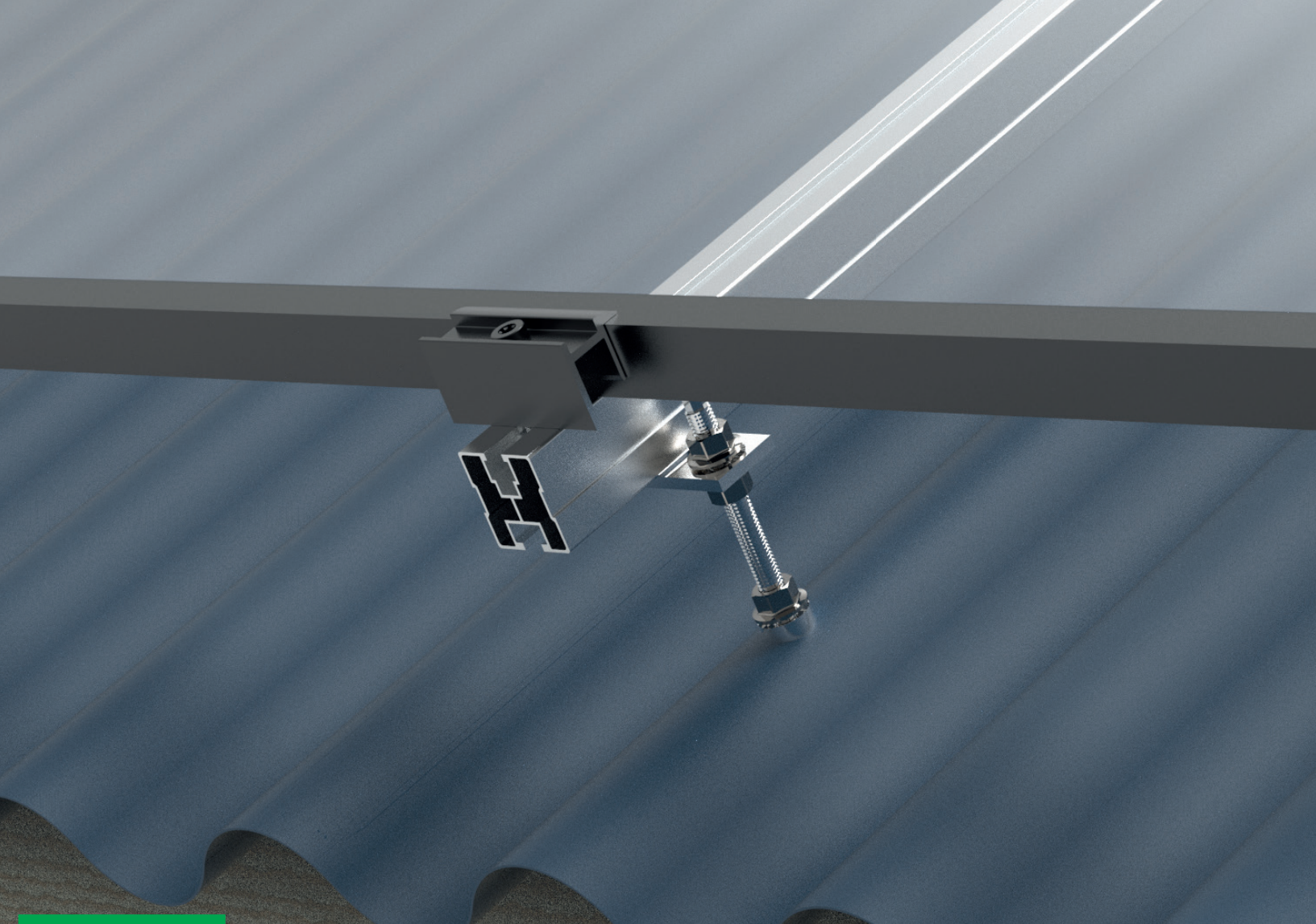
The well-known inlay mounting system. You install solar panels quickly and easily by sliding them into the profiles. Without clamps!



ALLiSLIDE

The hybrid mounting system with only 5 components. Suitable for sliding AND screwing, in landscape and portrait orientation.





ALLiHOME

UNIVERSAL MOUNTING SYSTEM

Our most compatible system, suitable for various pitched roof types.



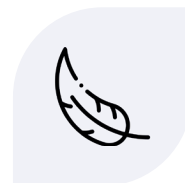
UNIVERSAL

The ALLiHOME profile can be used with any roof hook and clamp, and is for any type of pitched roof. You can always count on an ample supply.



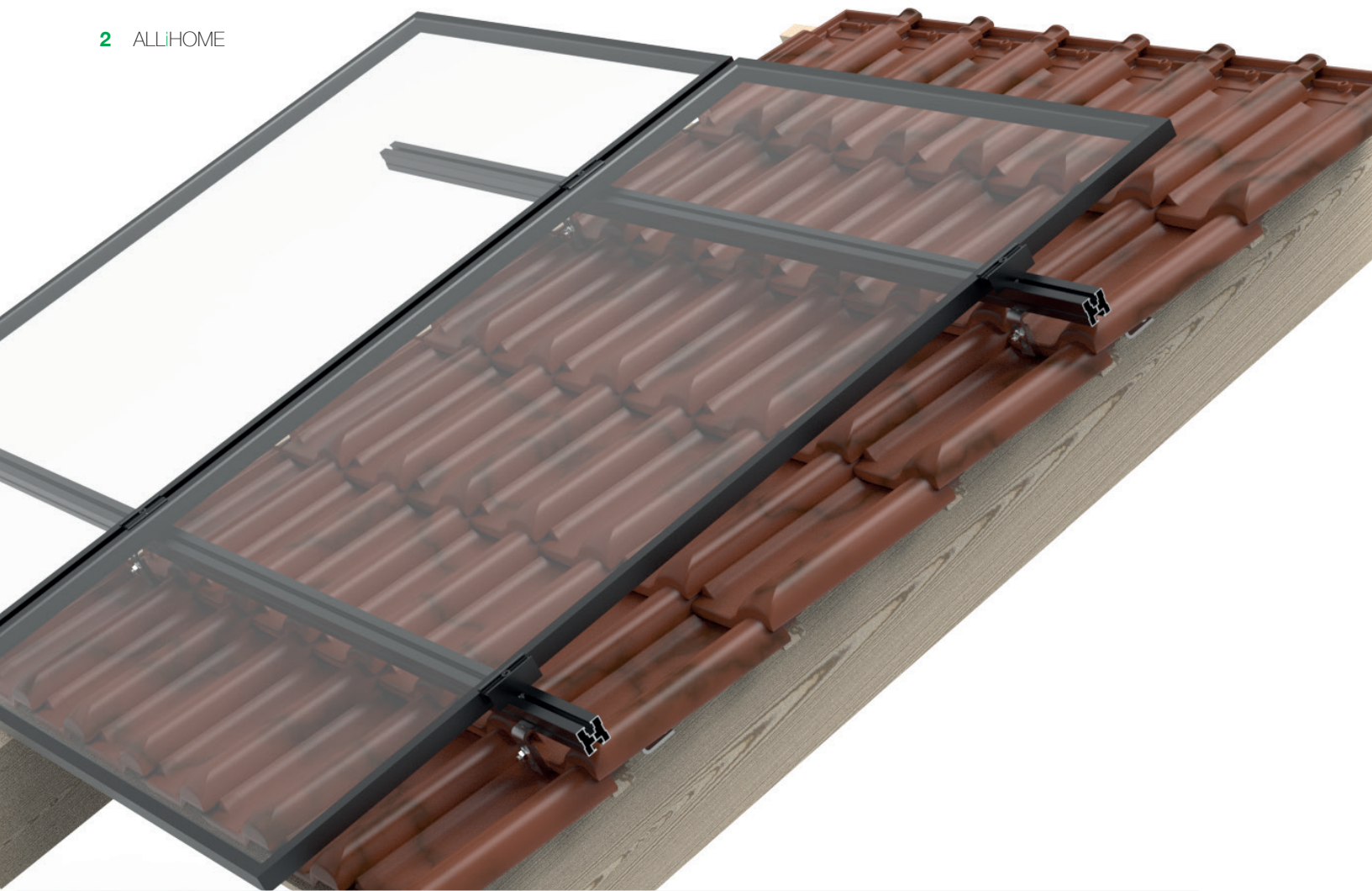
FLEXIBLE

ALLiHOME is suitable for various roof types and projects, both private and industrial. The wide variety of clamp types makes the system compatible with most solar panels on the market.

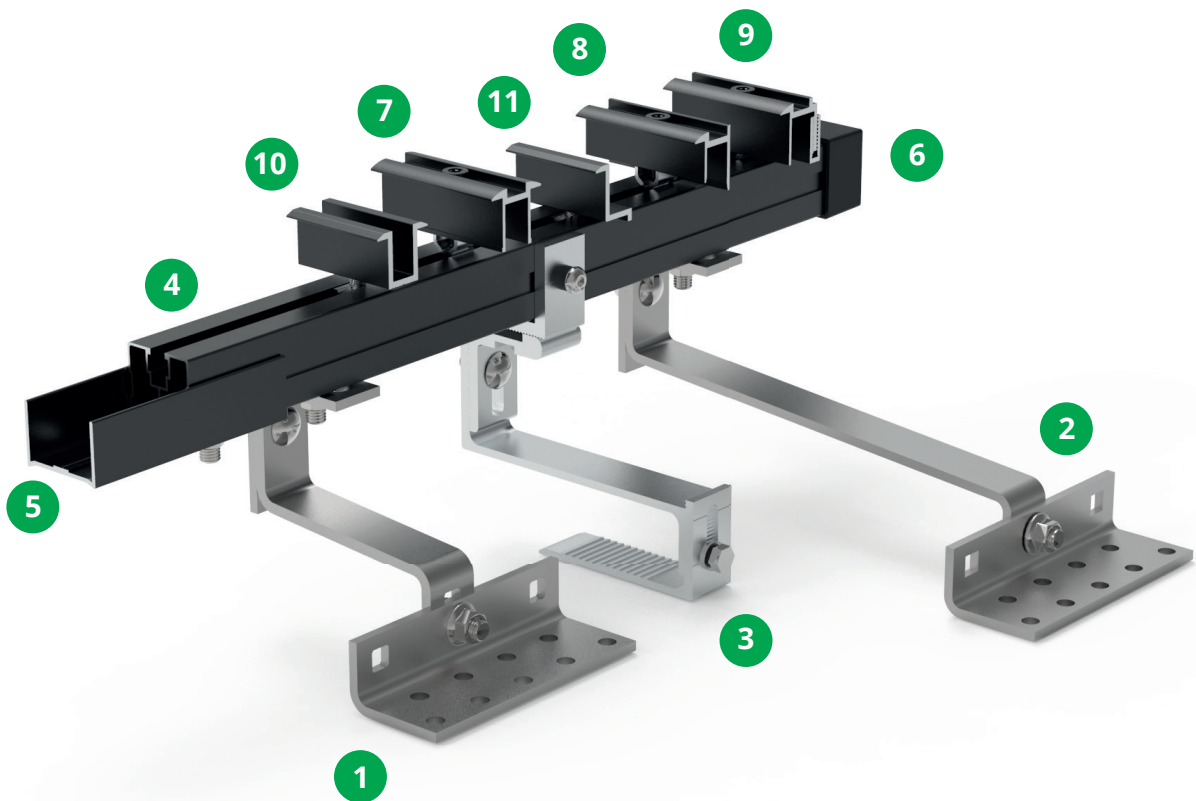
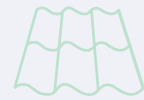


LIGHT

Our most innovative Feather profile is very light and enormously robust. This makes the profile ergonomic and easy to handle on the roof. And we reduce our CO2 emissions thanks to the reduced weight!



TILE ROOF



COMPONENTS

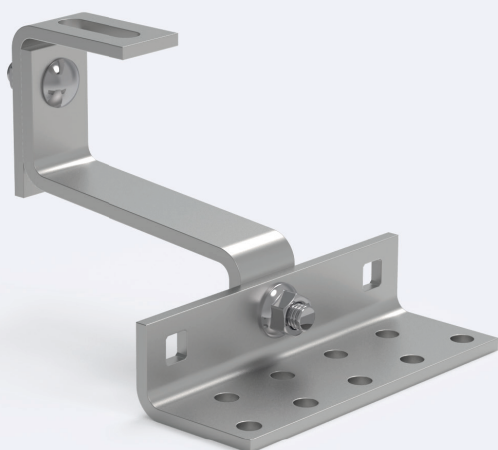
	ARTICLE CODE	ARTICLE DESCRIPTION	DATASHEET
1	 1AHM15DD001	Roof hook double adjustable SS	p. 19
	 1AHM15DD004	Roof hook double adjustable SS medium	p. 20
2	 1AHM15DD002	Roof hook double adjustable plain tile	p. 21
	 1AHM46HT001	Wood screw 6x70 TX25	p. 48
3	 1AHM10BT037 1AHM10MR001	Hex bolt M10x30 Knurled nut M10	p. 46
	 1AHM15DD003	Roof hook double adjustable hybrid	p. 22
4	 1AHM43AL008 1AHM43ZW005	Profile Allimex 6,50m alu Profile Allimex 6,50m black <i>Other lengths available on request</i>	p. 36
	 1AHM43AL005 1AHM43ZW004	Profile ultralight 6,20m alu Profile ultralight 6,20m black	p. 37
	 1AHM43AL024 1AHM43ZW024	Profile Feather 5,85m alu Profile Feather 5,85m black	p. 38
5	 1AHMACPV001 1AHMACPV002	Profile connector 40mm alu Profile connector 40mm black	p. 39
6	 1AHMACPS002 1AHMACPS001	Stopper profile 40x40 alu Stopper profile 40x40 black	p. 40

COMPONENTS



	ARTICLE CODE	ARTICLE DESCRIPTION	DATASHEET
7	1AHM32KK003 1AHM32KK004	Middle clamp click 30-40mm alu Middle clamp click 30-40mm black	p. 41
8	1AHM32KK024 1AHM32KK025	End clamp click 30mm alu End clamp click 30mm black	p. 42
9	1AHM32KK008 1AHM32KK009	End clamp click 30-40mm alu End clamp click 30-40mm black	p. 43
10	1AHM32SR085 1AHM32SR086	Middle clamp basic length 60mm alu Middle clamp basic length 60mm black	p. 44
11	1AHM32SR069 1AHM32SR070	End clamp 30mm length 60mm alu End clamp 30mm length 60mm black	p. 45
	1AHM10BT015 1AHM10MR004	Allen bolt M8x20 (<i>panel size - 10mm</i>) Snap nut M8	p. 47

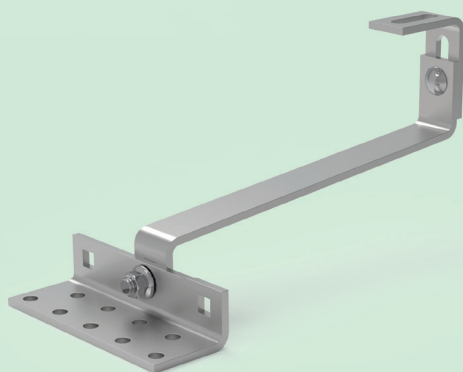
THE FLEXIBLE ROOF HOOKS



ROOF HOOK DOUBLE ADJUSTABLE

The most flexible roof hook in our range.

- With as many as 9 drill holes, you choose the ideal place to secure the roof hook in the substructure.
- The depth of the roof hook can be easily adjusted according to the thickness of the roof tile and tile battens.
- The slotted hole at the bottom of the hook aligns the roof hooks perfectly against the profiles.
- The roof hook is made of high-quality stainless 304 steel with a thick wall thickness.
- The shotblasting finish provides increased corrosion resistance.



ROOF HOOK DOUBLE ADJUSTABLE PLAIN TILE

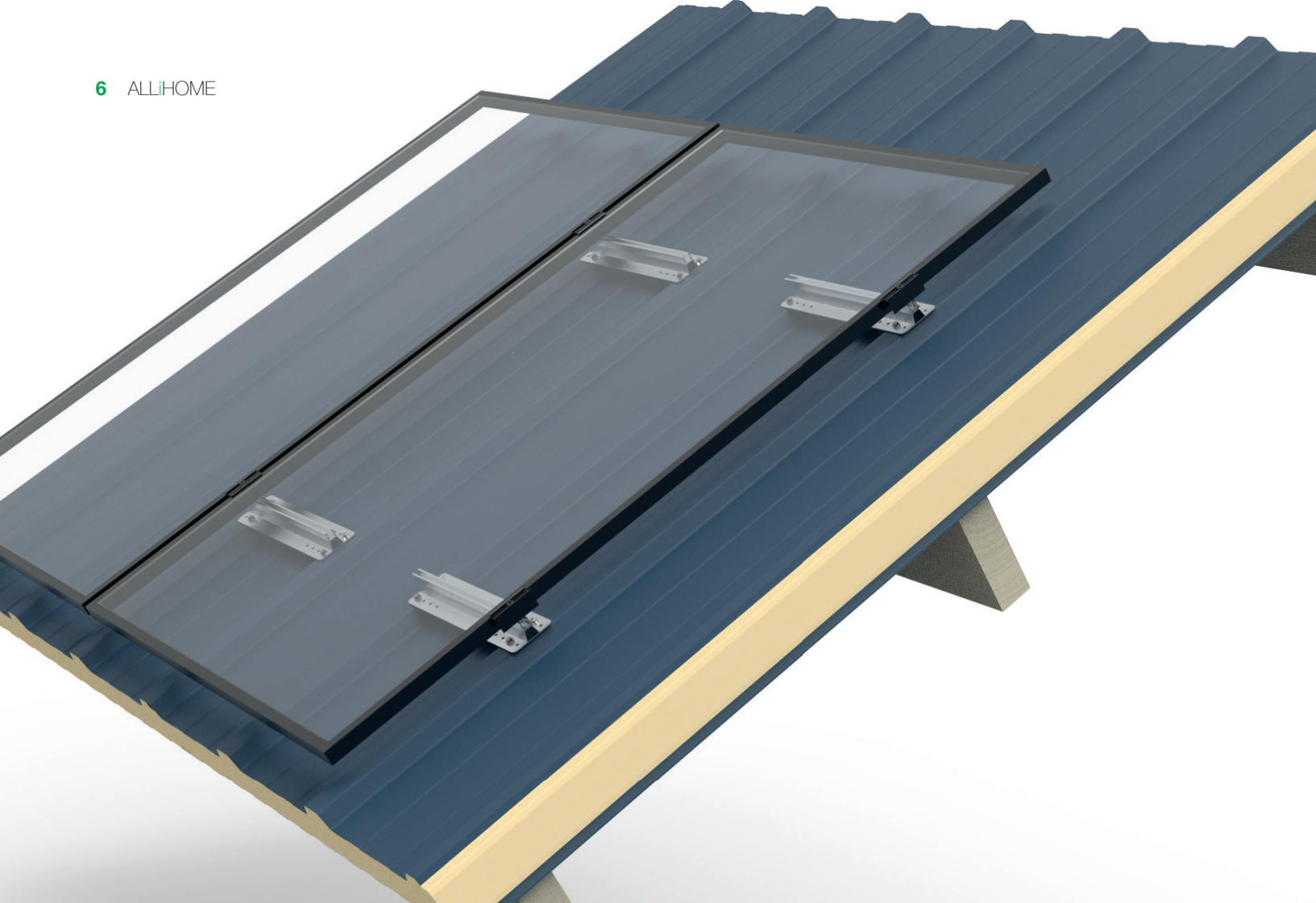
This tile roof hook is adjustable and extra long to perfectly fit this type of tile.

ROOF HOOK DOUBLE ADJUSTABLE HYBRID

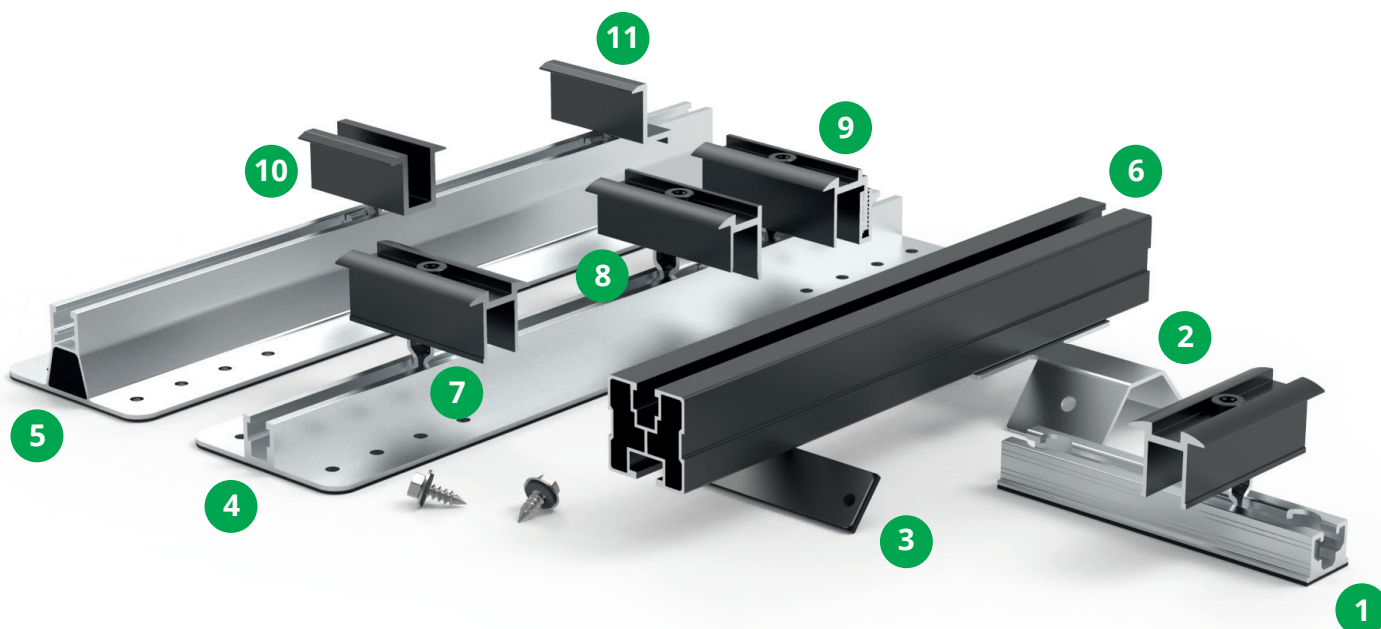
The hybrid roof hook is double adjustable: you adjust it to the thickness of the roof tile as well as the placement of the profiles. The roof hook is suitable for both portrait and landscape orientation.

The fast mounting system ensures smooth installation. You put the profile in the roof hook and then screw everything on - easy!





STEEL DECK TRAPEZOID



COMPONENTS

		ARTICLE CODE	ARTICLE DESCRIPTION	DATASHEET
1		1AHM15SD005	Steel deck plate landscape 15cm	p. 23
2		1AHM15SD001	Steel deck plate SS	p. 24
		1AHM10BT037 1AHM10MR001	Hex bolt M10x30 Knurled nut M10	p. 46
3		1AHM15SD004	Steel deck connecting plate	p. 25
4		1AHM15SD006	Steel deck plate portrait 40cm alu	p. 26
5		1AHM15SD008	Steel deck plate 40mm raised portrait 40cm alu	p. 27
		1AHM46BM003	Bi-metal screws for steel deck 6,0x25	p. 49
6		1AHM43AL008 1AHM43ZW005	Profile Allimex 6,50m alu Profile Allimex 6,50m black <i>Other lengths available on request</i>	p. 36
		1AHM43AL024 1AHM43ZW024	Profile Feather 5,85m alu Profile Feather 5,85m black	p. 38
		1AHMACPV001 1AHMACPV002	Profile connector 40mm alu Profile connector 40mm black	p. 39
		1AHMACPS002 1AHMACPS001	Stopper profile 40x40 alu Stopper profile 40x40 black	p. 40

COMPONENTS

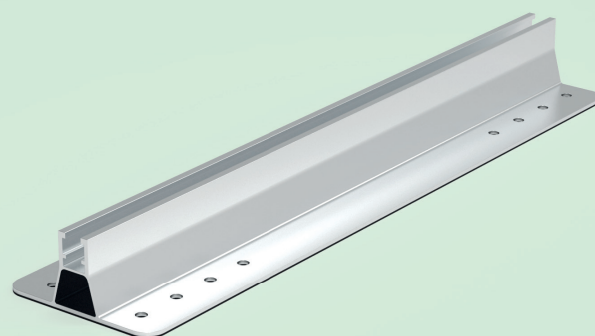


	ARTICLE CODE	ARTICLE DESCRIPTION	DATASHEET
7	1AHM32KK003 1AHM32KK004	Middle clamp click 30-40mm alu Middle clamp click 30-40mm black	p. 41
8	1AHM32KK024 1AHM32KK025	End clamp click 30mm alu End clamp click 30mm black	p. 42
9	1AHM32KK008 1AHM32KK009	End clamp click 30-40mm alu End clamp click 30-40mm black	p. 43
10	1AHM32SR085 1AHM32SR086	Middle clamp basic length 60mm alu Middle clamp basic length 60mm black	p. 44
11	1AHM32SR069 1AHM32SR070	End clamp 30mm length 60mm alu End clamp 30mm length 60mm black	p. 45
	1AHM10BT015 1AHM10MR004	Allen bolt M8x20 (<i>panel size - 10mm</i>) Snap nut M8	p. 47

STEEL DECK PLATE 40MM RAISED PORTRAIT 40CM ALU

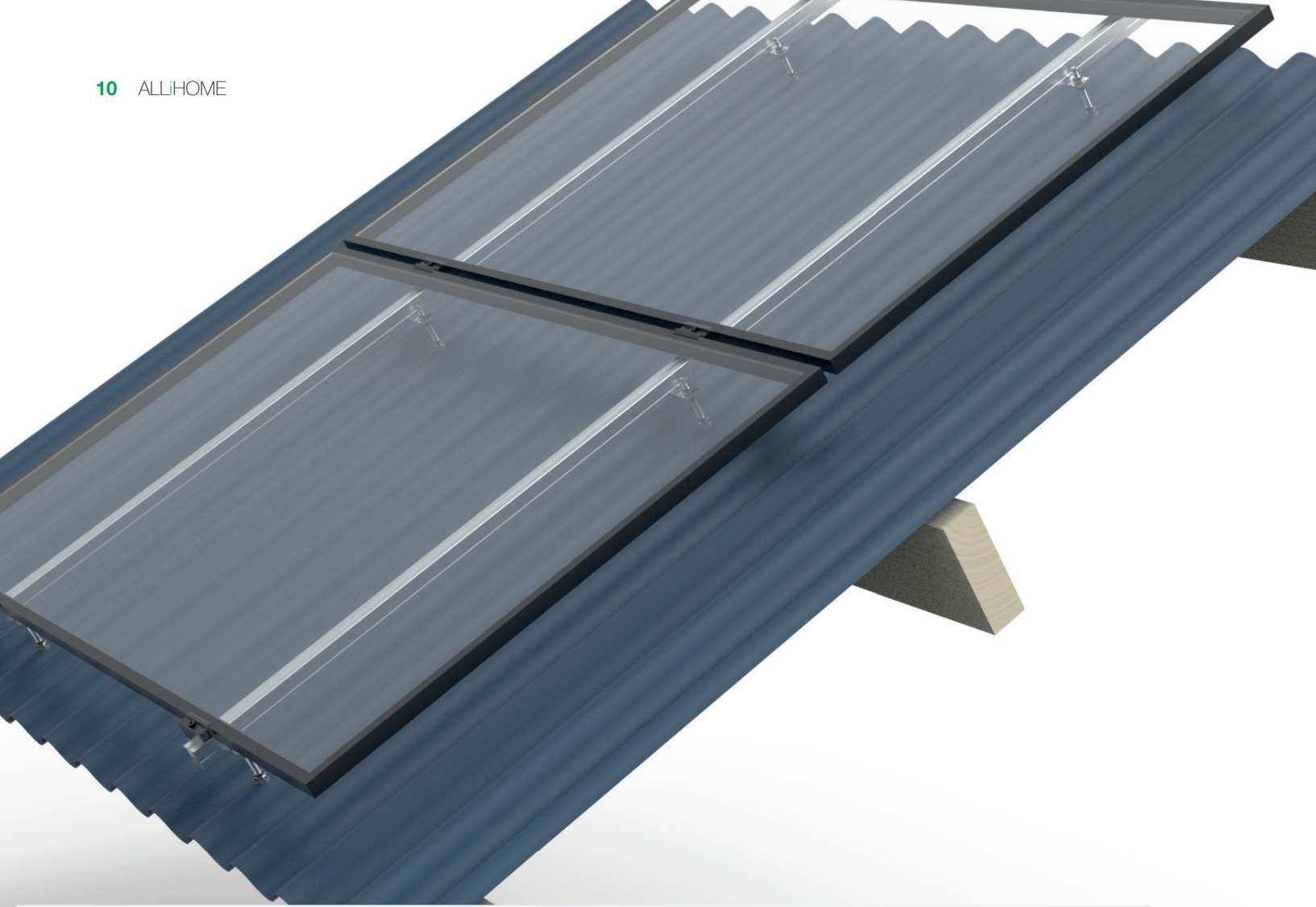
We developed an elevated version of the standard steel deck plate. This elevated version has several additional benefits:

- Additional space for optimizers;
- More space for cables and the cable tray;
- Optimal ventilation of the solar panels, resulting in higher efficiency.

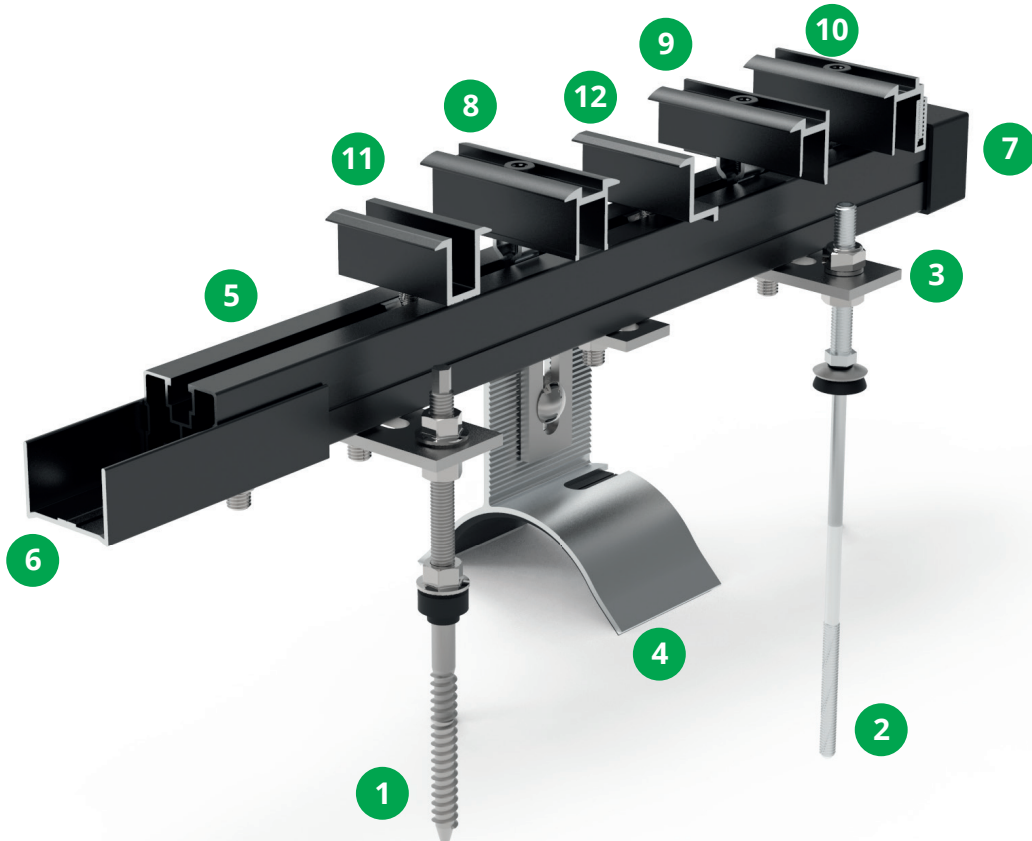




“The ALLiHOME mounting system is enormously versatile. The profile fits different types of roof hooks, making it suitable for any type of roof or project. The double adjustable roof hooks adjust easily to the roofing material.”



CORRUGATED ROOF







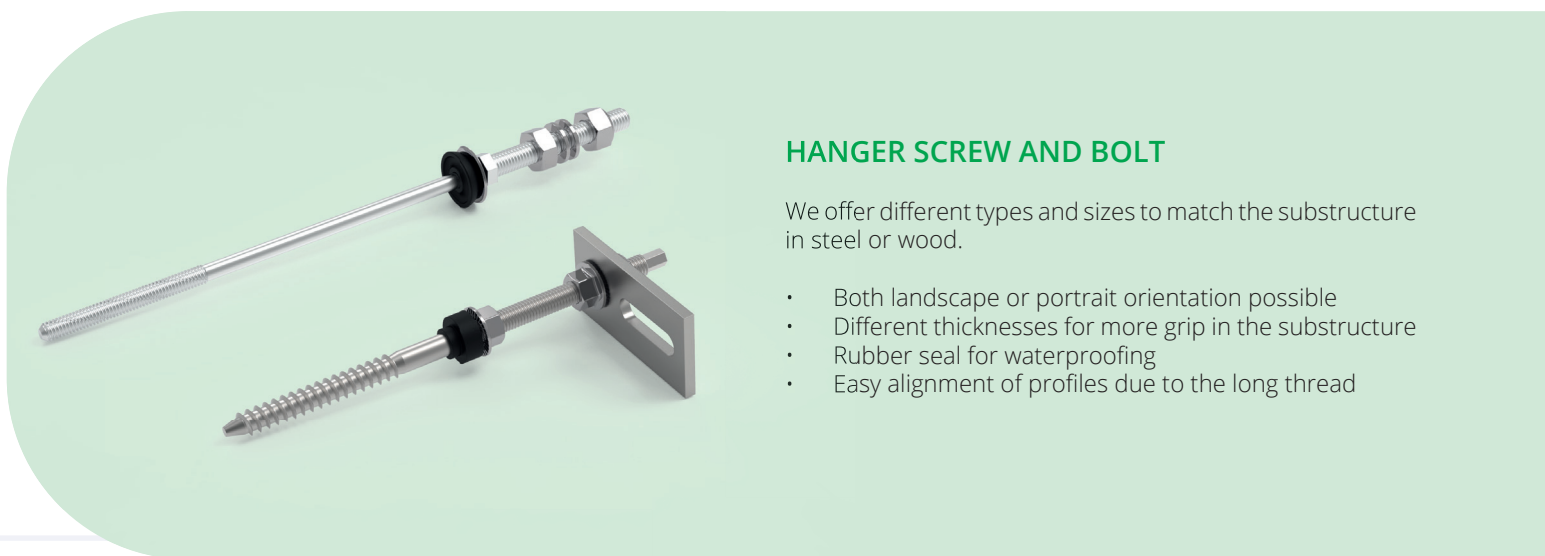
COMPONENTS

	ARTICLE CODE	ARTICLE DESCRIPTION	DATASHEET
1	 1AHM15SS004	Hanger screw with mounting plate M10x200	p. 28
2	 1AHM15SS026	Hanger bolt for metal construction 8x200/70 without mounting plate	p. 29
3	 1AHMACMP001	Mounting plate 110x40x5mm	p. 30
4	 1AIN15DV007	Hook ALLiN corrugated sheet	p. 31
	 1AHM15AC003	L-piece roof hook slate single adjustable	p. 32
	 1AHM10BT037 1AHM10MR001	Hex bolt M10x30 Knurled nut M10	p. 46
5	 1AHM43AL008 1AHM43ZW005	Profile Allimex 6,50m alu Profile Allimex 6,50m black <i>Other lengths available on request</i>	p. 36
	 1AHM43AL005 1AHM43ZW004	Profile ultralight 6,20m alu Profile ultralight 6,20m black	p. 37
	 1AHM43AL024 1AHM43ZW024	Profile Feather 5,85m alu Profile Feather 5,85m black	p. 38
6	 1AHMACPV001 1AHMACPV002	Profile connector 40mm alu Profile connector 40mm black	p. 39
7	 1AHMACPS002 1AHMACPS001	Stopper profile 40x40 alu Stopper profile 40x40 black	p. 40
8	 1AHM32KK003 1AHM32KK004	Middle clamp click 30-40mm alu Middle clamp click 30-40mm black	p. 41
9	 1AHM32KK024 1AHM32KK025	End clamp click 30mm alu End clamp click 30mm black	p. 42

COMPONENTS



		ARTICLE CODE	ARTICLE DESCRIPTION	DATASHEET
10		1AHM32KK008 1AHM32KK009	End clamp click 30-40mm alu End clamp click 30-40mm black	p. 43
11		1AHM32SR085 1AHM32SR086	Middle clamp basic length 60mm alu Middle clamp basic length 60mm black	p. 44
12		1AHM32SR069 1AHM32SR070	End clamp 30mm length 60mm alu End clamp 30mm length 60mm black	p. 45
		1AHM10BT015 1AHM10MR004	Allen bolt M8x20 (<i>panel size - 10mm</i>) Snap nut M8	p. 47



HANGER SCREW AND BOLT

We offer different types and sizes to match the substructure in steel or wood.

- Both landscape or portrait orientation possible
- Different thicknesses for more grip in the substructure
- Rubber seal for waterproofing
- Easy alignment of profiles due to the long thread

HOOK FOR CORRUGATED SHEET

The corrugated hook can be quickly and easily installed on a corrugated roof. You screw up the existing bolt on the roof and fasten the hook behind it. The bolt is then tightened again.

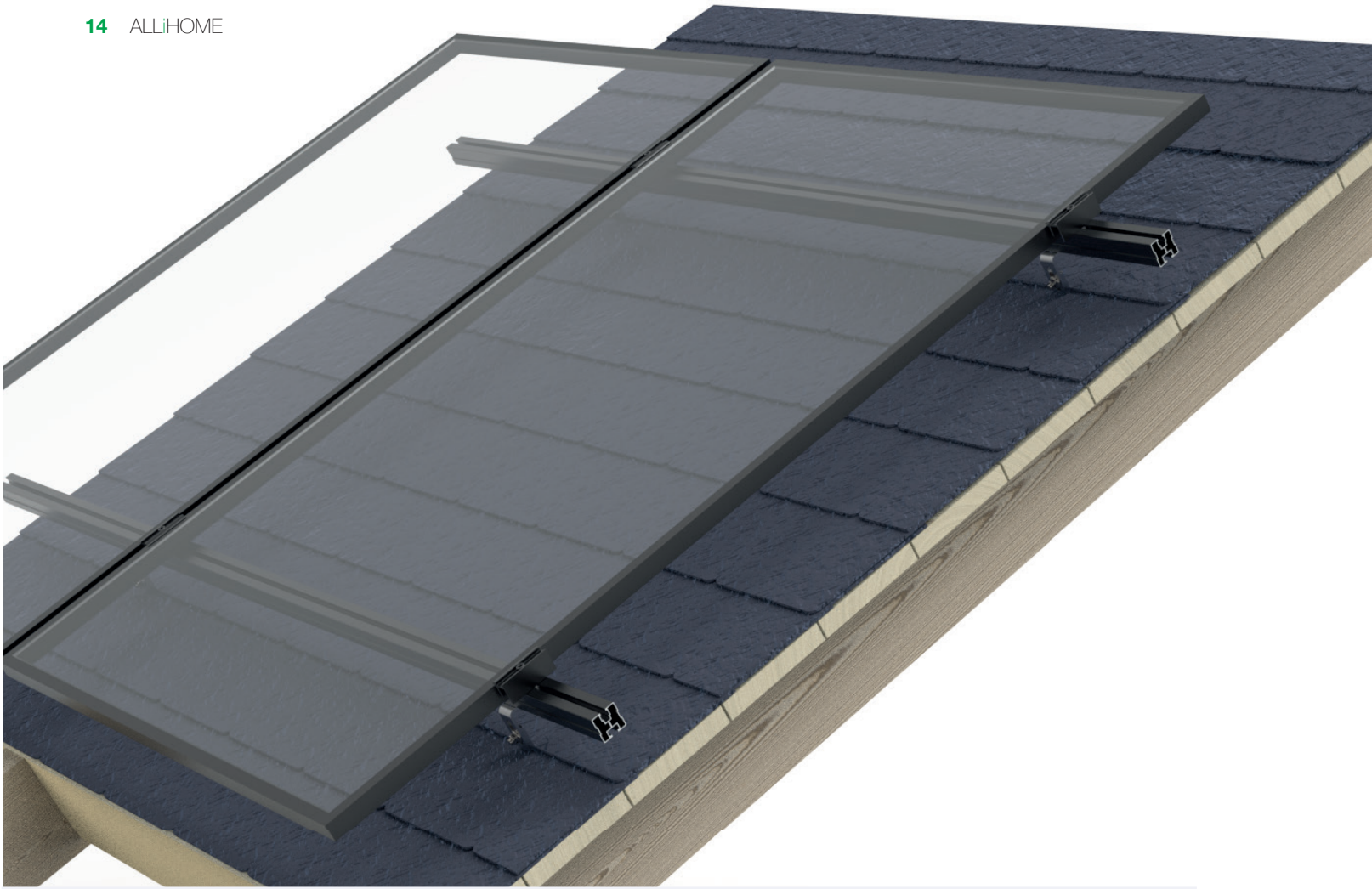
The hook for corrugated roofs leaves more space between the solar panels and the roof for optimizers and cables.

The corrugated hook contains an EPDM foam layer at the bottom for optimal waterproofing.

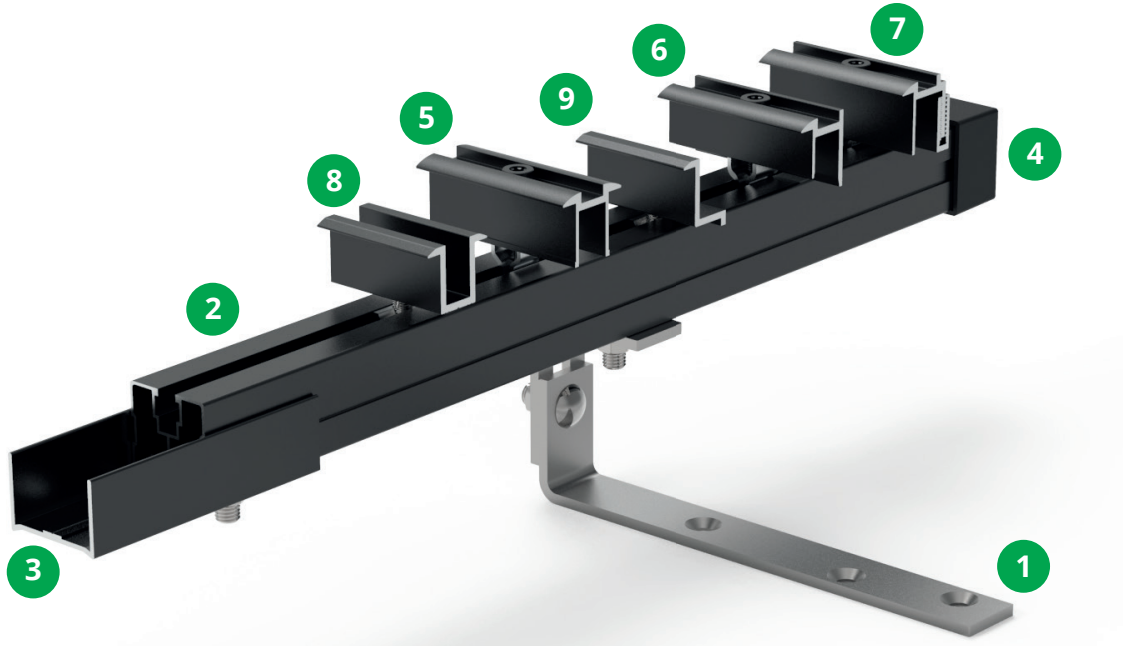

















**FEATHER
PROFILE**

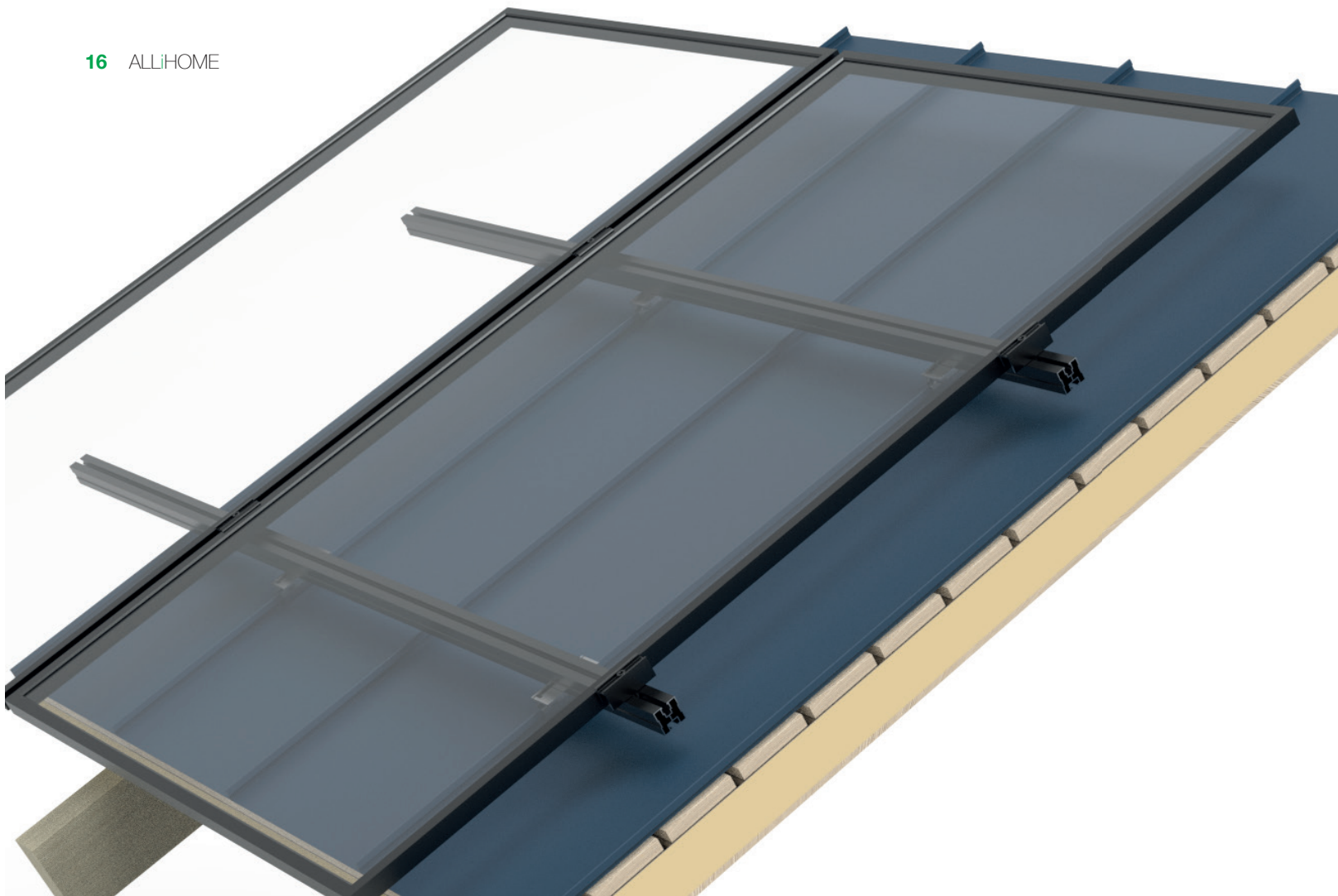


SLATE ROOF

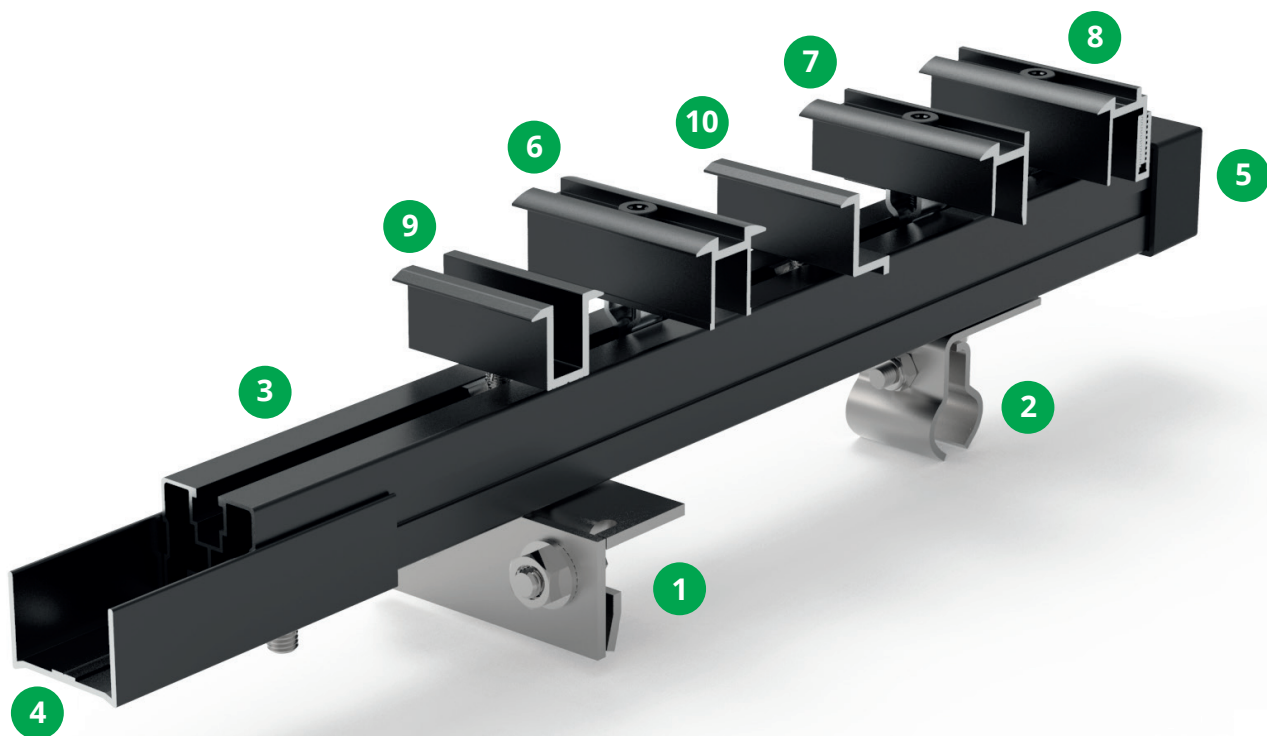


COMPONENTS

	ARTICLE CODE	ARTICLE DESCRIPTION	DATASHEET
1	 1AHM15DE002	Roof hook single adjustable slate SS	p. 33
	 1AHM46HT001	Wood screw 6x70 TX25	p. 48
	 1AHM10BT037 1AHM10MR001	Hex bolt M10x30 Knurled nut M10	p. 46
2	 1AHM43AL008 1AHM43ZW005	Profile Allimex 6,50m alu Profile Allimex 6,50m black <i>Other lengths available on request</i>	p. 36
	 1AHM43AL005 1AHM43ZW004	Profile ultralight 6,20m alu Profile ultralight 6,20m black	p. 37
	 1AHM43AL024 1AHM43ZW024	Profile Feather 5,85m alu Profile Feather 5,85m black	p. 38
	 1AHMACPV001 1AHMACPV002	Profile connector 40mm alu Profile connector 40mm black	p. 39
4	 1AHMACPS002 1AHMACPS001	Stopper profile 40x40 alu Stopper profile 40x40 black	p. 40
5	 1AHM32KK003 1AHM32KK004	Middle clamp click 30-40mm alu Middle clamp click 30-40mm black	p. 41
	 1AHM32KK024 1AHM32KK025	End clamp click 30mm alu End clamp click 30mm black	p. 42
7	 1AHM32KK008 1AHM32KK009	End clamp click 30-40mm alu End clamp click 30-40mm black	p. 43
8	 1AHM32SR085 1AHM32SR086	Middle clamp basic length 60mm alu Middle clamp basic length 60mm black	p. 44
	 1AHM32SR069 1AHM32SR070	End clamp 30mm length 60mm alu End clamp 30mm length 60mm black	p. 45
9	 1AHM10BT015 1AHM10MR004	Allen bolt M8x20 (<i>panel size - 10mm</i>) Snap nut M8	p. 47



ZINC ROOF



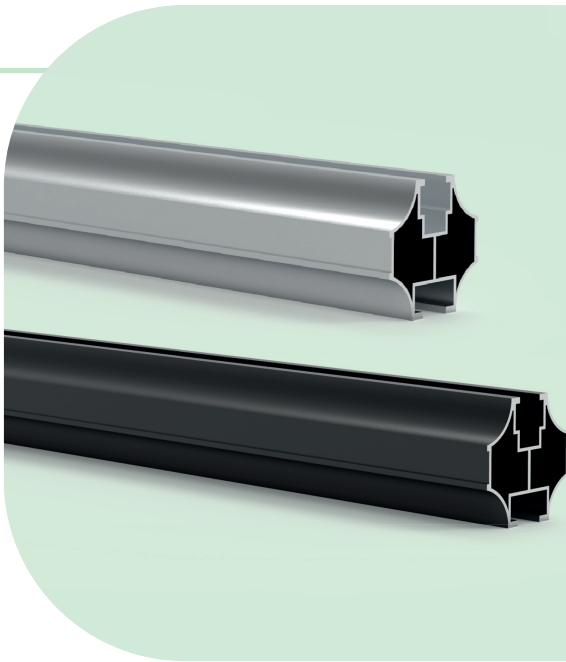
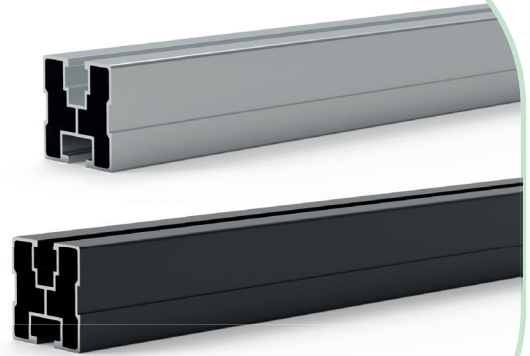
COMPONENTS

		ARTICLE CODE	ARTICLE DESCRIPTION	DATASHEET
1		1AHM15DV006	Kalzip roof clamp	p. 34
2		1AHM15DV003	Kalzip roof clamp round	p. 35
		1AHM10BT037 1AHM10MR001	Hex bolt M10x30 Knurled nut M10	p. 46
3		1AHM43AL008 1AHM43ZW005	Profile Allimex 6,50m alu Profile Allimex 6,50m black <i>Other lengths available on request</i>	p. 36
		1AHM43AL005 1AHM43ZW004	Profile ultralight 6,20m alu Profile ultralight 6,20m black	p. 37
		1AHM43AL024 1AHM43ZW024	Profile Feather 5,85m alu Profile Feather 5,85m black	p. 38
4		1AHMACPV001 1AHMACPV002	Profile connector 40mm alu Profile connector 40mm black	p. 39
5		1AHMACPS002 1AHMACPS001	Stopper profile 40x40 alu Stopper profile 40x40 black	p. 40
6		1AHM32KK003 1AHM32KK004	Middle clamp click 30-40mm alu Middle clamp click 30-40mm black	p. 41
7		1AHM32KK024 1AHM32KK025	End clamp click 30mm alu End clamp click 30mm black	p. 42
8		1AHM32KK008 1AHM32KK009	End clamp click 30-40mm alu End clamp click 30-40mm black	p. 43
9		1AHM32SR085 1AHM32SR086	Middle clamp basic length 60mm alu Middle clamp basic length 60mm black	p. 44
10		1AHM32SR069 1AHM32SR070	End clamp 30mm length 60mm alu End clamp 30mm length 60mm black	p. 45
		1AHM10BT015 1AHM10MR004	Allen bolt M8x20 (<i>panel size - 10mm</i>) Snap nut M8	p. 47

PROFILE ALLIMEX

The universal profile within the ALLiHOME range.

- Profile Allimex is suitable for various pitched roof types.
- The profile works with any roof hook, triangle and clamp. One profile is all it takes for various applications.
- The alu and black finish guarantee a sleek finish.



PROFILE FEATHER

Discover the Feather profile, a rugged lightweight in the ALLiHOME range.

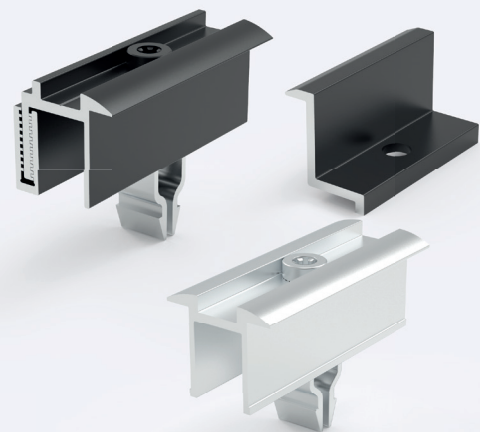
- Feather's innovative design gives you more stability and support on the roof.
- Custom profile length and light weight facilitate installation on the roof.
- As much as 30% less CO₂ is emitted during production. Feather is doing its part in reducing our carbon footprint.
- Feather has been extensively tested. This ensures a safe product and installation.

LOCAL PRODUCTION OF CLAMPS

We rely on De Ploeg (BE), a local custom company, for the manufacture of our click and screw clamps. De Ploeg is a recognized custom work company that provides quality and sustainable employment to people with low employability.

We consciously choose to work with the local community.

All clamps are cut, punched and packed in biodegradable plastic in the context of our social and environmental commitment.

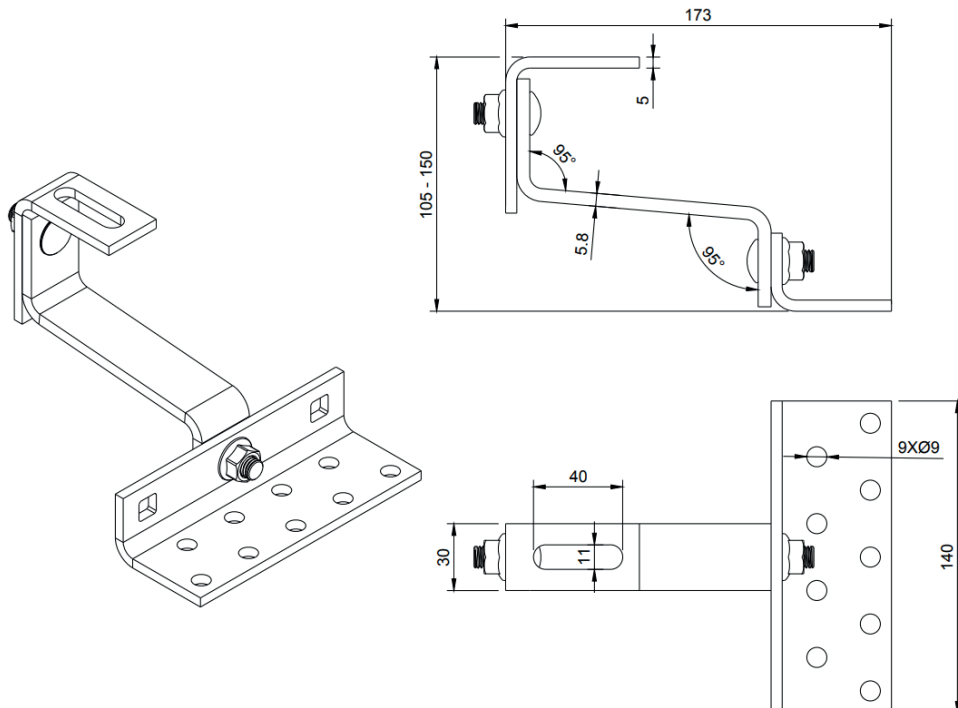


ROOF HOOK DOUBLE ADJUSTABLE SS

DATASHEET



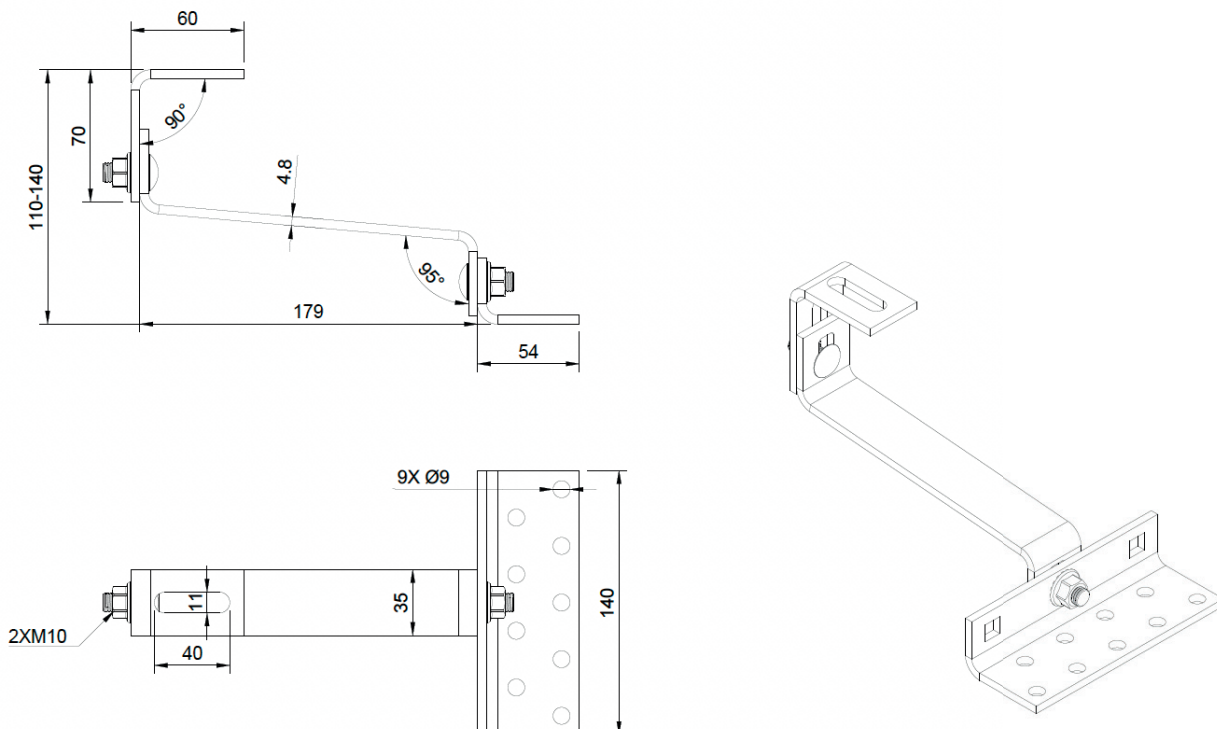
ARTICLE CODE	1AHM15DD001
MATERIAL	SS304
COLOR	SS
WEIGHT	790 gr
APPLICATION	pitched roof, tile roof
PACKAGING	30 pcs/carton, 1.200 pcs/pallet



ROOF HOOK DOUBLE ADJUSTABLE SS MEDIUM DATASHEET

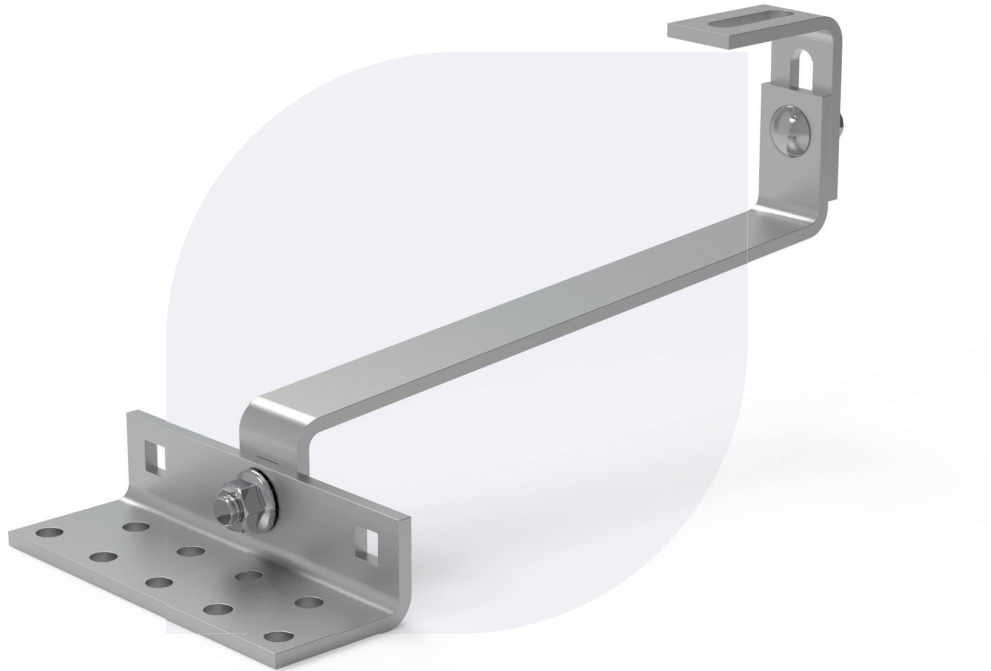


ARTICLE CODE	1AHM15DD004
MATERIAL	SS304
COLOR	SS
WEIGHT	840 gr
APPLICATION	pitched roof, tile roof
PACKAGING	30 pcs/carton, 720 pcs/pallet

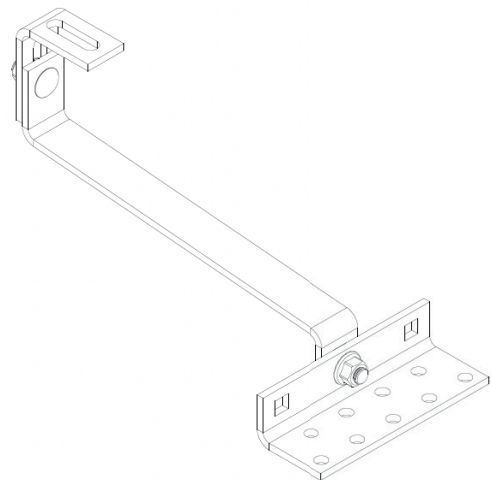
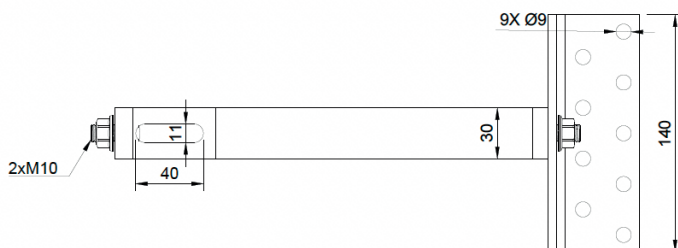
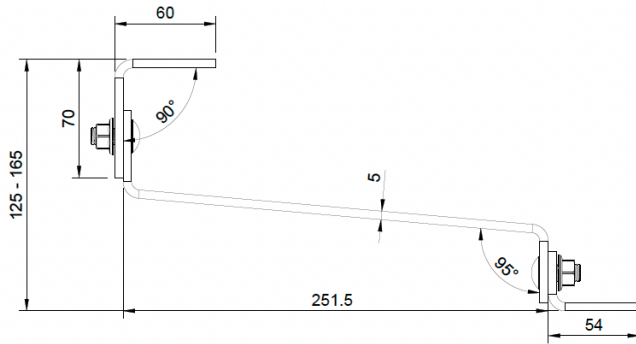


ROOF HOOK DOUBLE ADJUSTABLE PLAIN TILE

DATASHEET

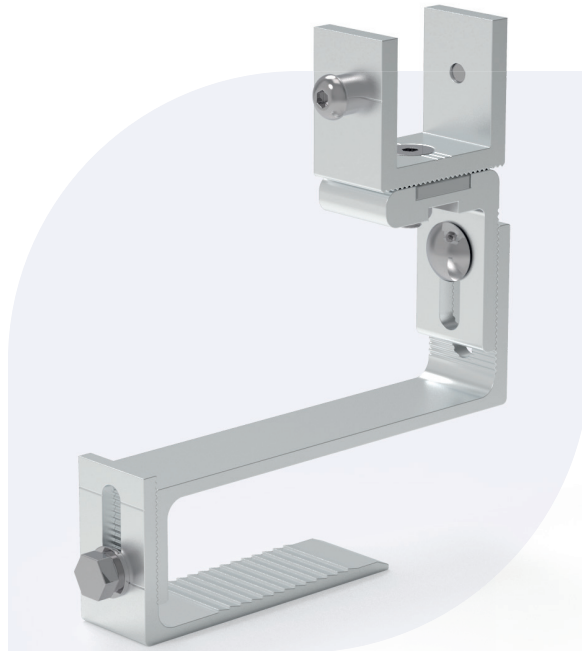


ARTICLE CODE	1AHM15DD002
MATERIAL	SS304
COLOR	SS
WEIGHT	880 gr
APPLICATION	pitched roof, tile roof
PACKAGING	30 pcs/carton, 720 pcs/pallet

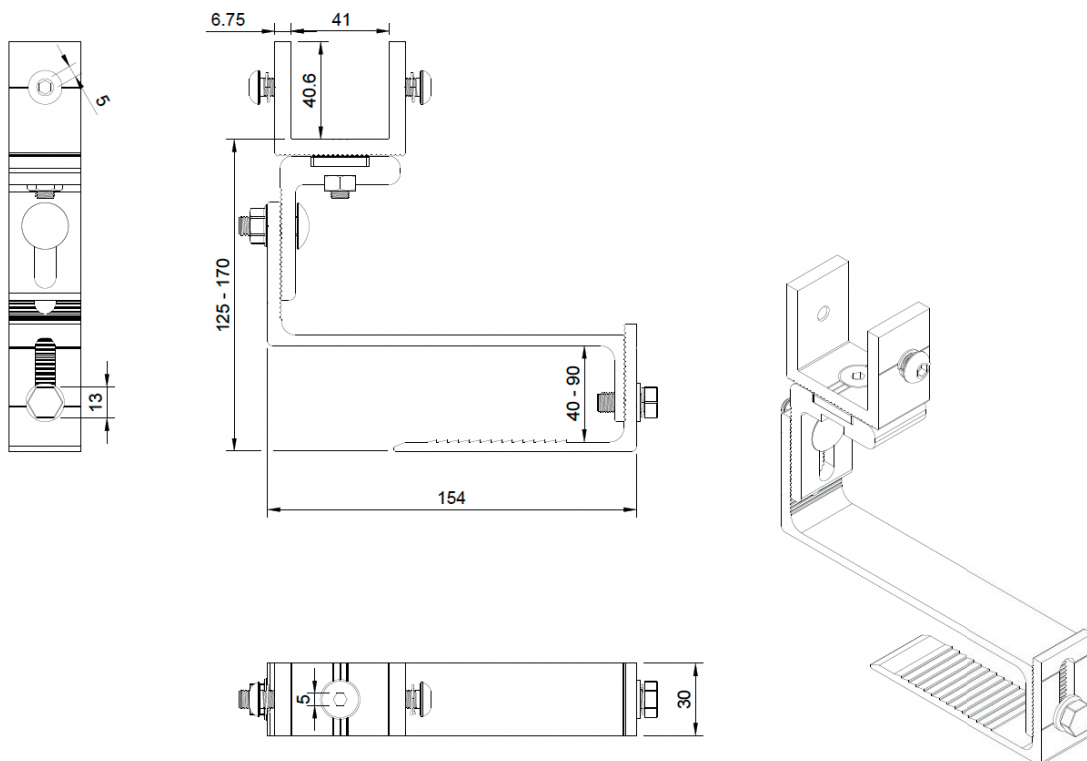


ROOF HOOK DOUBLE ADJUSTABLE HYBRID

DATASHEET

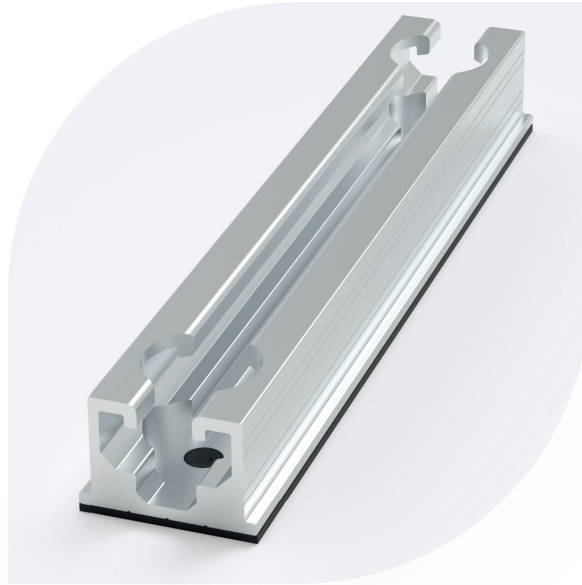


ARTICLE CODE	1AHM15DD003
MATERIAL	ALU6063T5 + SSA2
COLOR	alu
WEIGHT	330 gr
APPLICATION	pitched roof, tile roof
PACKAGING	50 pcs/carton, 1.300 pcs/pallet

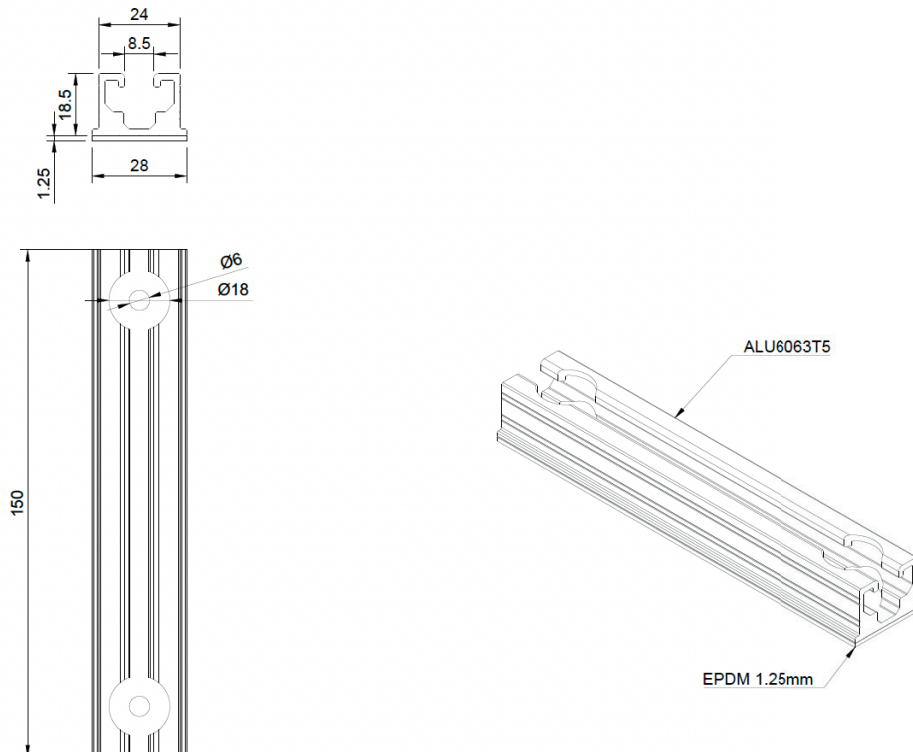


STEEL DECK PLATE LANDSCAPE 15 CM

DATASHEET

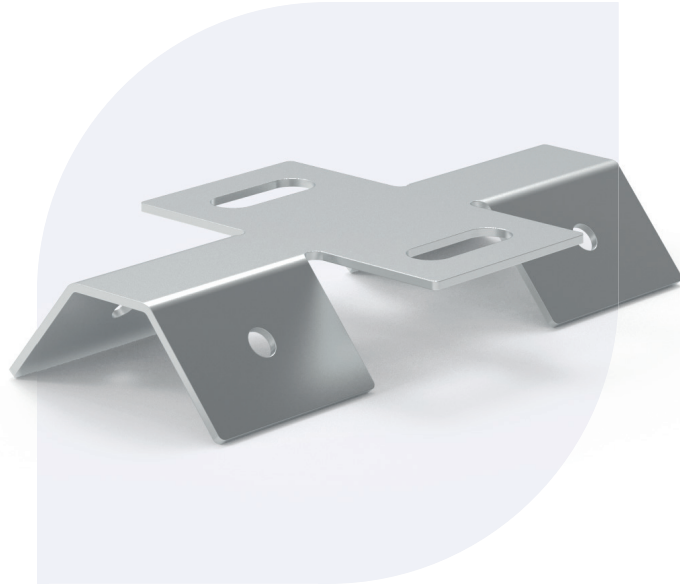


ARTICLE CODE	1AHM15SD005
MATERIAL	ALU6063T5 + EPDM
COLOR	alu
WEIGHT	90 gr
APPLICATION	pitched roof, steel deck trapezoid
PACKAGING	200 pcs/carton, 7.000 pcs/pallet

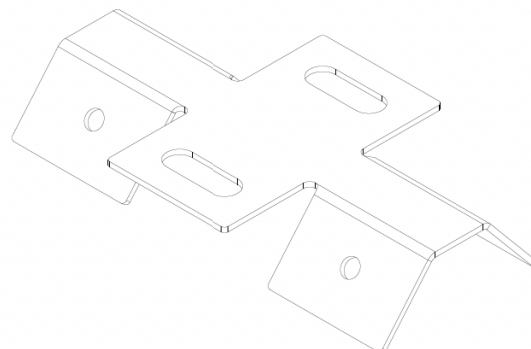
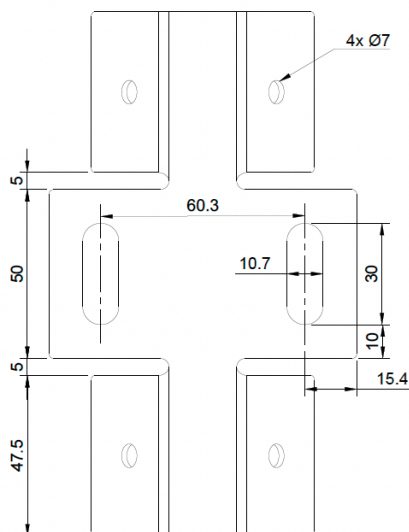
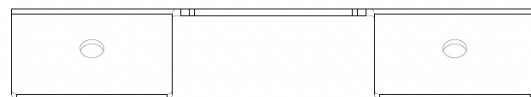
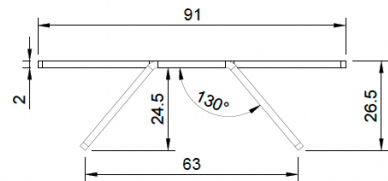


STEEL DECK PLATE SS

DATASHEET

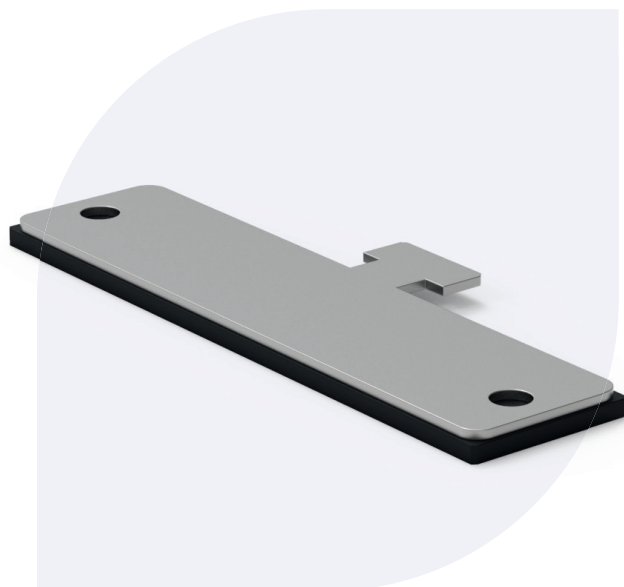


ARTICLE CODE	1AHM15SD001
MATERIAL	SS304
COLOR	SS
WEIGHT	190 gr
APPLICATION	pitched roof, steel deck trapezoid
PACKAGING	3.500 pcs/pallet (bulk)

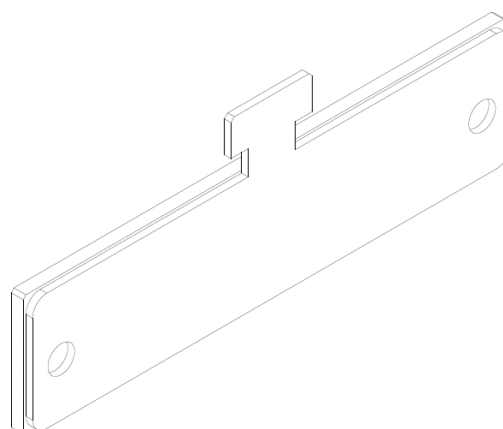
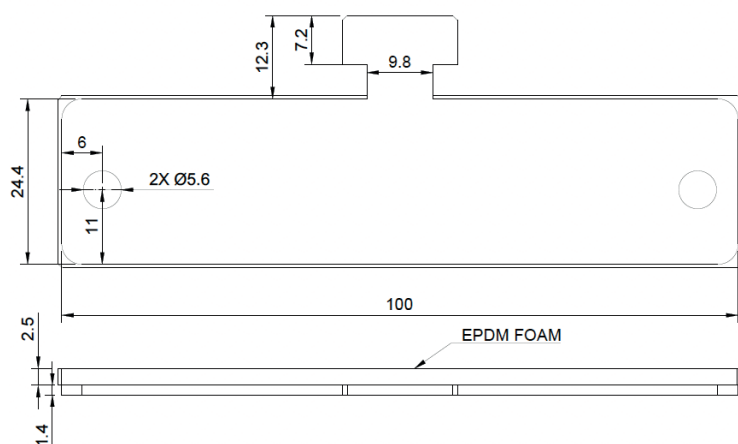


STEEL DECK CONNECTING PLATE

DATASHEET



ARTICLE CODE	1AHM15SD004
MATERIAL	SS304 + EPDM
COLOR	SS
WEIGHT	30 gr
APPLICATION	pitched roof, steel deck trapezoid
PACKAGING	300 pcs/carton, 45.000 pcs/pallet

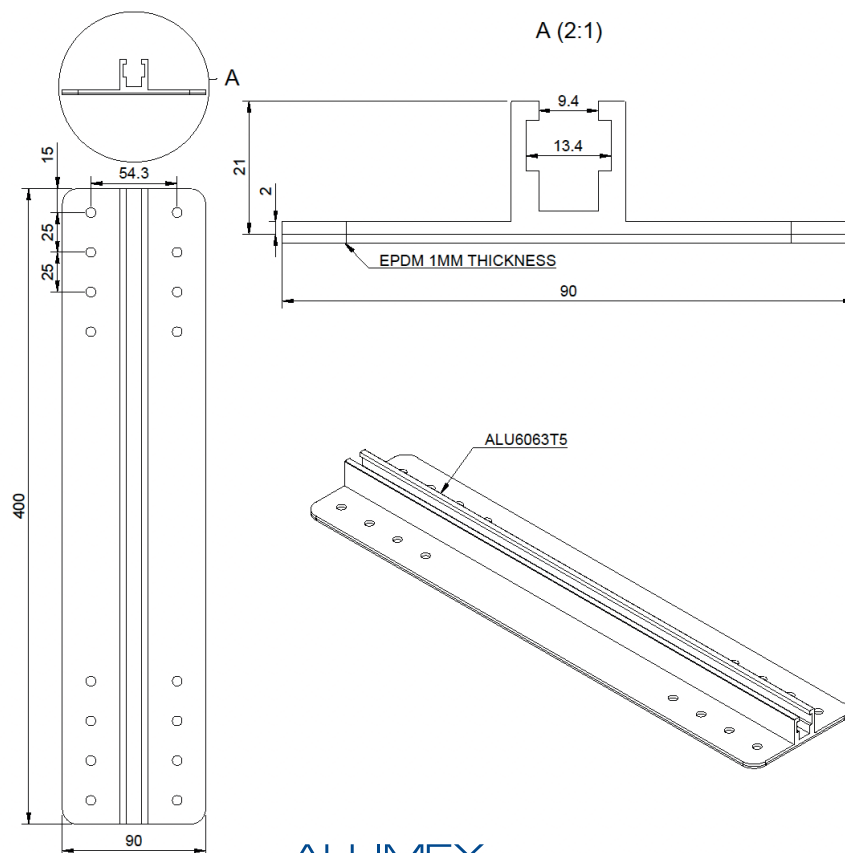


STEEL DECK PLATE PORTRAIT 40 CM ALU

DATASHEET

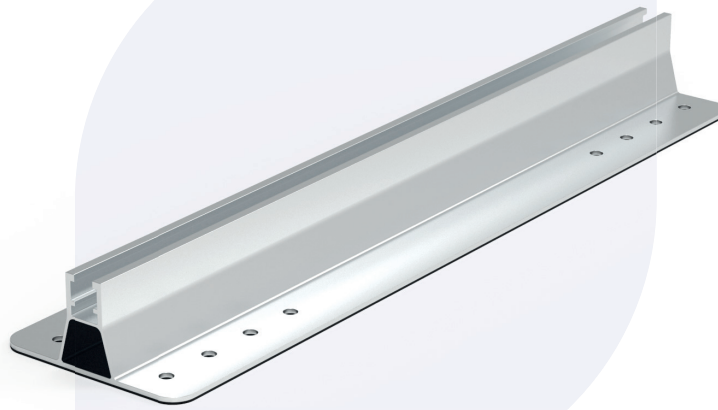


ARTICLE CODE	1AHM15SD006
MATERIAL	ALU6063T5 + EPDM
COLOR	alu
WEIGHT	410 gr
APPLICATION	pitched roof, steel deck trapezoid
PACKAGING	35 pcs/carton, 1.260 pcs/pallet

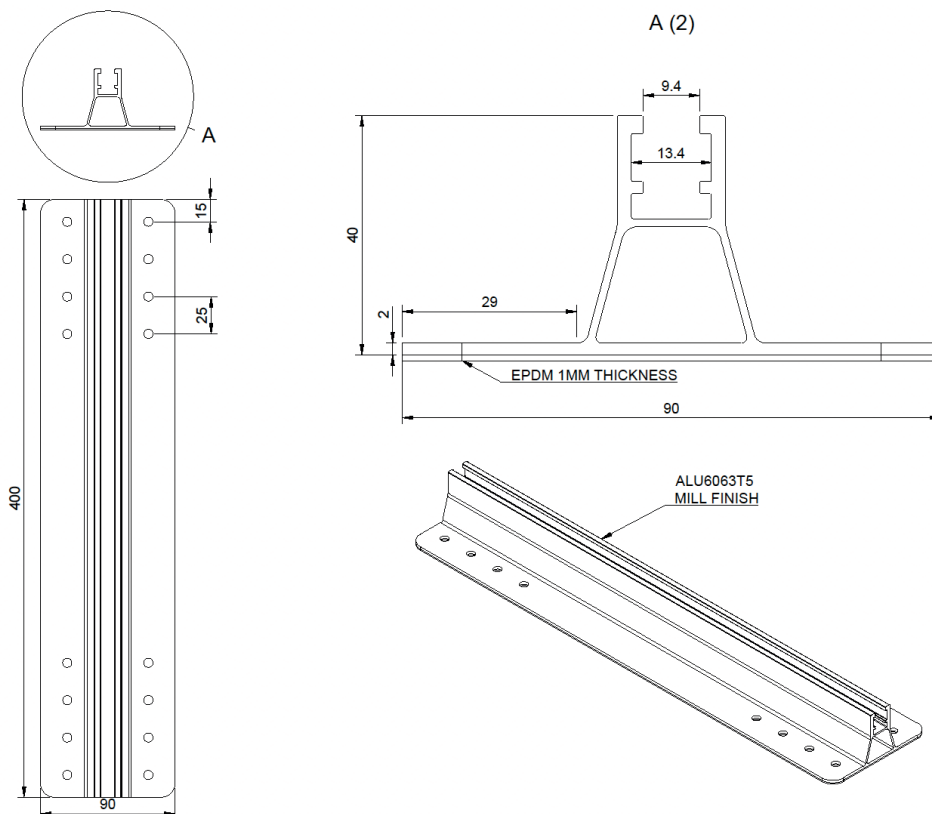


STEEL DECK PLATE 40 MM RAISED PORTRAIT 40 CM ALU

DATASHEET



ARTICLE CODE	1AHM15SD008
MATERIAL	ALU6063T5 + EPDM
COLOR	alu
WEIGHT	480 gr
APPLICATION	pitched roof, steel deck trapezoid
PACKAGING	40 pcs/carton, 600 pcs/pallet

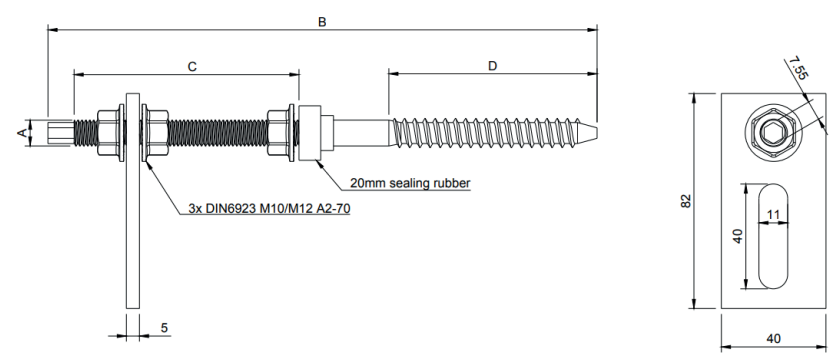


HANGER SCREW WITH MOUNTING PLATE

DATASHEET



ARTICLE CODE	1AHM15SS004 (M10x200)
MATERIAL	SS304
COLOR	SS
WEIGHT	220 gr
APPLICATION	pitched roof, corrugated roof
PACKAGING	50 pcs/carton



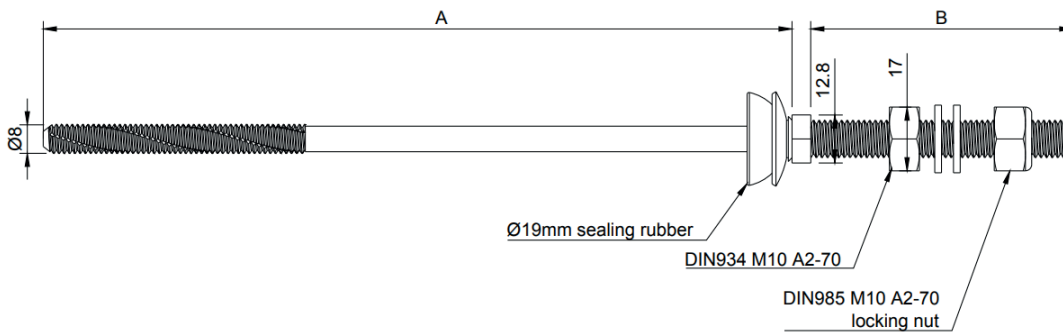
		A (in mm)	B (in mm)	C (in mm)	D (in mm)	kg
hanger screw M10x200	1AHM15SS004	10	200	85	67	0,220
hanger screw M10x250	1AHM15SS005	10	250	85	67	0,250
hanger screw M10x300	1AHM15SS007	10	300	150	67	0,275
hanger screw M12x300	1AHM15SS009	12	300	150	100	0,285
hanger screw M12x400	1AHM15SS010	12	400	220	100	0,470

HANGER BOLT FOR METAL CONSTRUCTION WITHOUT MOUNTING PLATE

DATASHEET



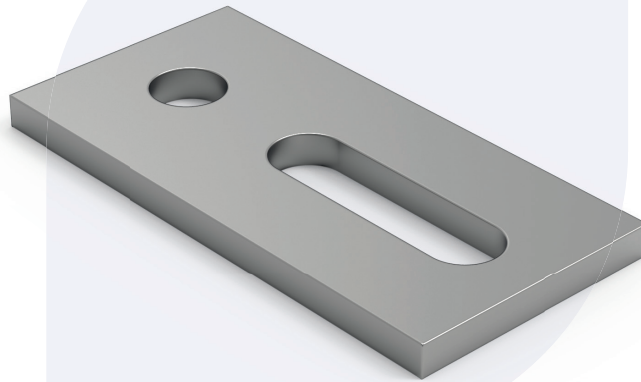
ARTICLE CODE	1AHM15SS026 (8x200/70)
MATERIAL	SS304
COLOR	SS
WEIGHT	120 gr
APPLICATION	pitched roof, corrugated roof, steel beams
PACKAGING	10 pcs/carton



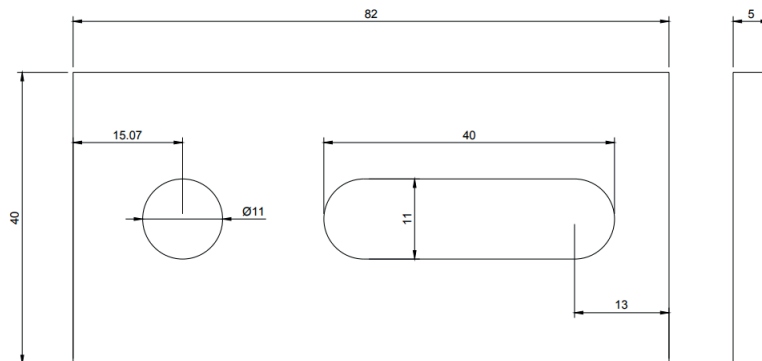
		A (in mm)	B (in mm)	kg
hanger bolt 8,00x200/50	1AHM15SS001	200	50	0,12
hanger bolt 8,00x200/70	1AHM15SS026	200	70	0,12
hanger bolt 8,00x100/50	1AHM15SS011	100	50	0,12
hanger bolt 8,00x150/70	1AHM15SS002	150	70	0,12

MOUNTING PLATE 110X40X5MM

DATASHEET



ARTICLE CODE	1AHMACMP001
MATERIAL	SS304
COLOR	SS
WEIGHT	140 gr
APPLICATION	pitched roof, corrugated roof, hanger bolt
PACKAGING	25 pcs/carton

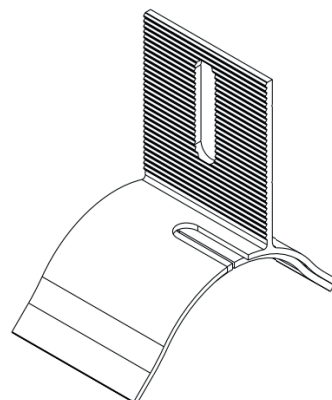
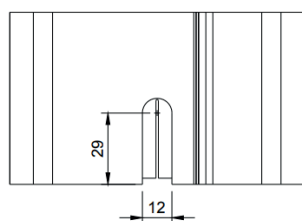
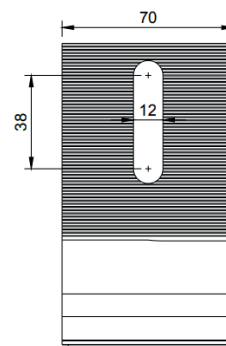
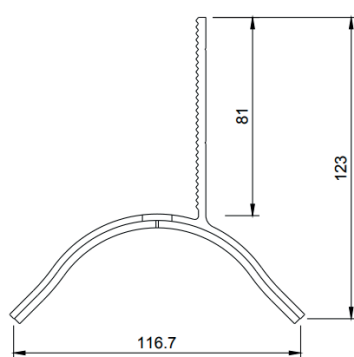


HOOK CORRUGATED SHEET

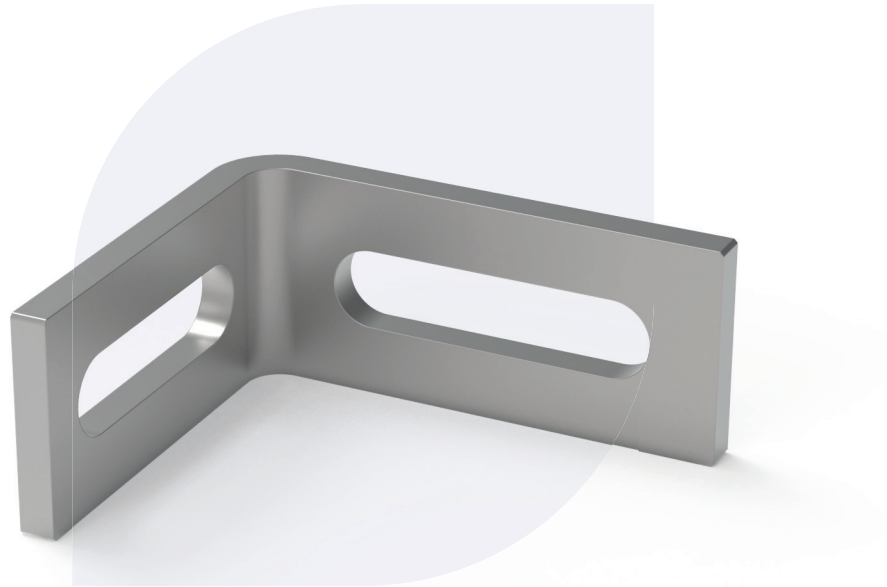
DATASHEET



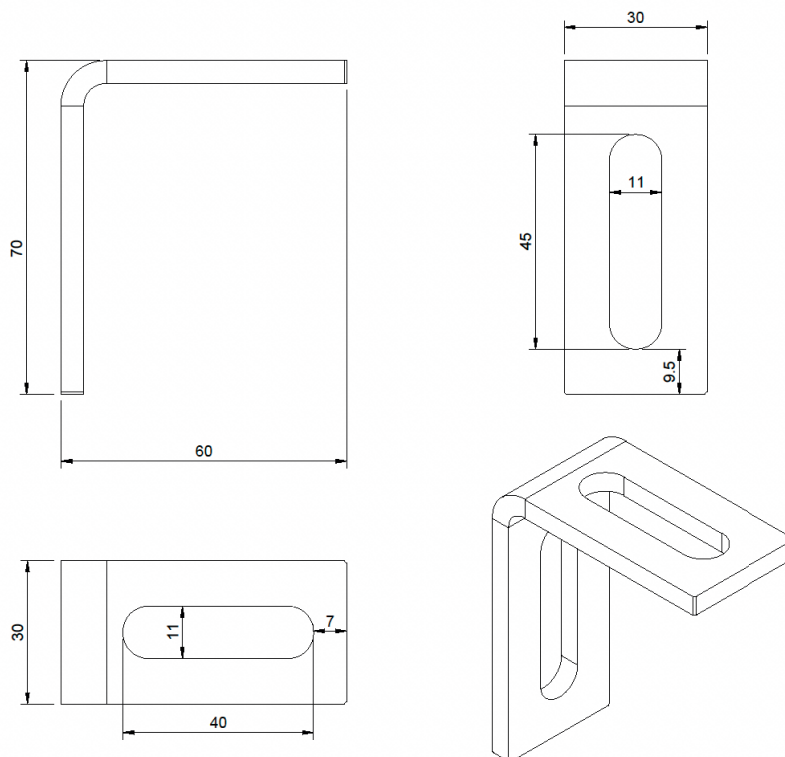
ARTICLE CODE	1AIN15DV007
MATERIAL	ALU6063 + EPDM
COLOR	alu
WEIGHT	130 gr
APPLICATION	pitched roof, corrugated roof
PACKAGING	96 pcs/carton, 960 pcs/pallet



L-PIECE ROOF HOOK SLATE SINGLE ADJUSTABLE DATASHEET

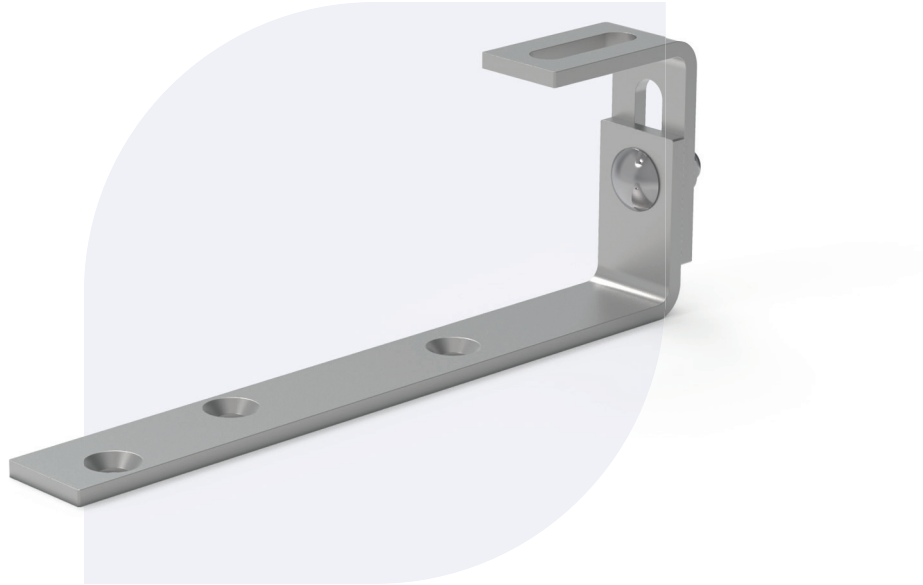


ARTICLE CODE	1AHM15AC003
MATERIAL	SS304
COLOR	SS
WEIGHT	110 gr
APPLICATION	pitched roof, corrugated roof
PACKAGING	500 pcs/carton (bulk)

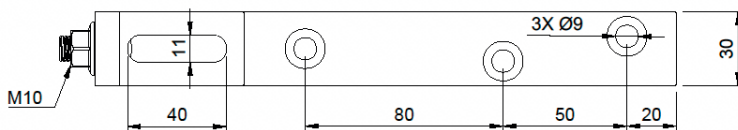
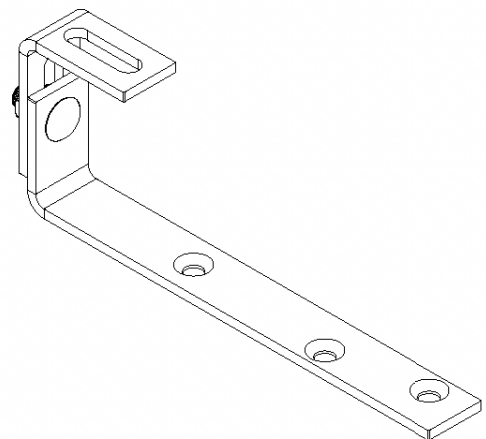
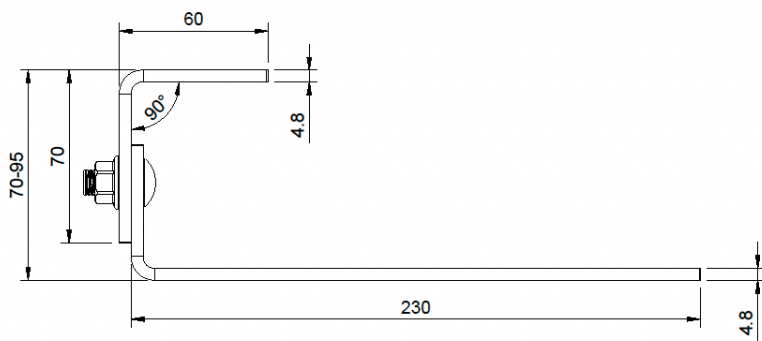


ROOF HOOK SINGLE ADJUSTABLE SLATE SS

DATASHEET

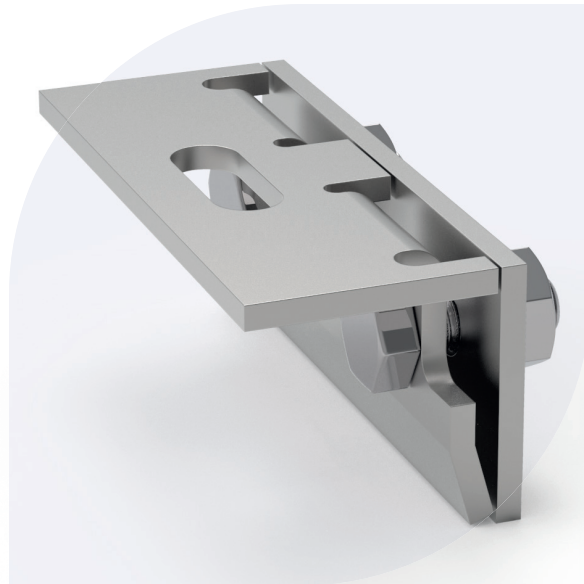


ARTICLE CODE	1AHM15DE002
MATERIAL	SS304
COLOR	SS
WEIGHT	410 gr
APPLICATION	pitched roof, slate roof
PACKAGING	30 pcs/carton, 2.000 pcs/pallet

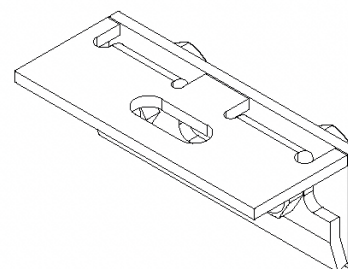
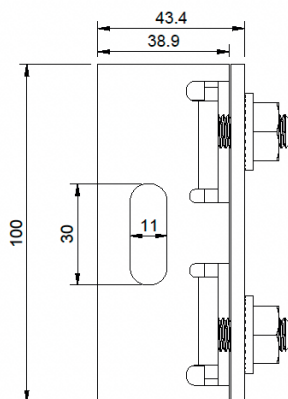
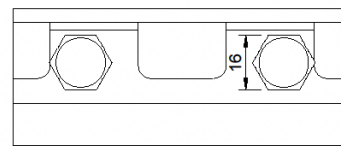
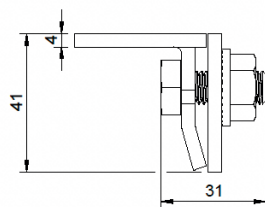


KALZIP ROOF CLAMP

DATASHEET

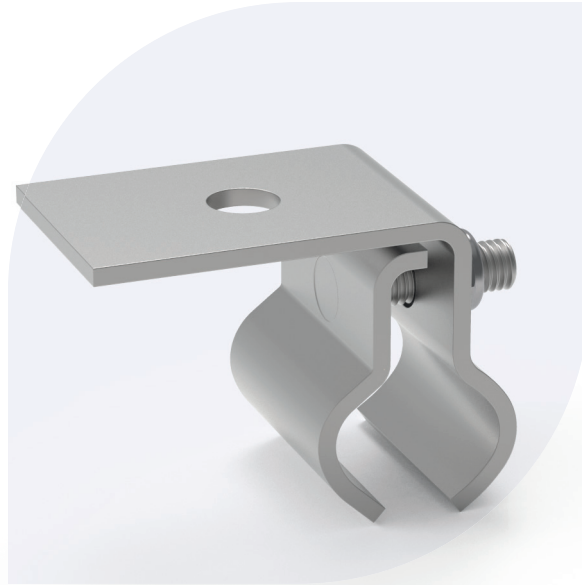


ARTICLE CODE	1AHM15DV006
MATERIAL	SS304
COLOR	SS
WEIGHT	360 gr
APPLICATION	pitched roof, zinc roof
PACKAGING	50 pcs/carton, 3.000 pcs/pallet

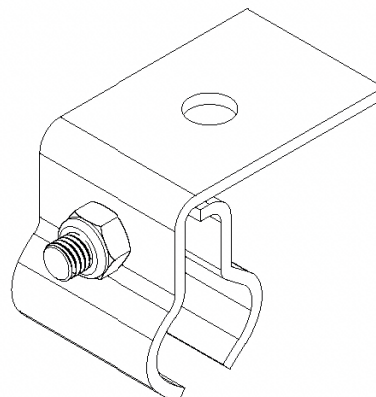
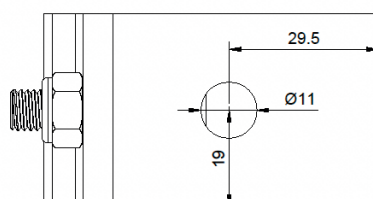
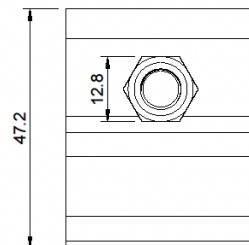
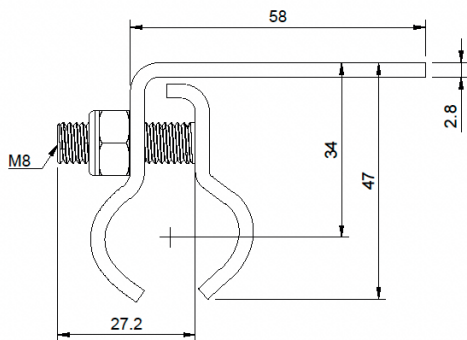


KALZIP CLAMP ROUND

DATASHEET



ARTICLE CODE	1AHM15DV003
MATERIAL	SS304
COLOR	SS
WEIGHT	140 gr
APPLICATION	pitched roof, zinc roof
PACKAGING	100 pcs/carton, 6.400 pcs/pallet



PROFILE ALLIMEX ALLiHOME

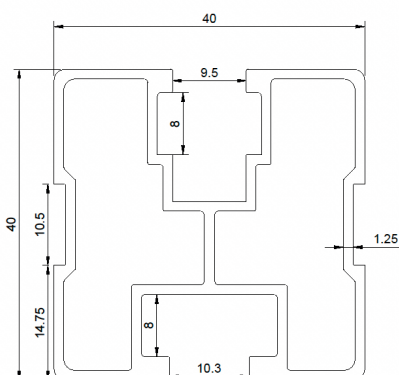
DATASHEET



ARTICLE CODE	1AHM43AL008 (6,50m alu) 1AHM43ZW005 (6,50m black)
MATERIAL	ALU6063T5
COLOR	alu / black
WEIGHT	860 gr / m
APPLICATION	pitched roof, tile roof, steel deck trapezoid, corrugated roof, slate roof, zinc roof
PACKAGING	96 pcs/bundle

SPAN TABLE

		Span (m)				
		1,20	1,30	1,40	1,50	1,60
Maximum load (kg)*	0°	136	125	116	109	102
	22°	132	122	113	105	99
	45°	144	133	124	116	108



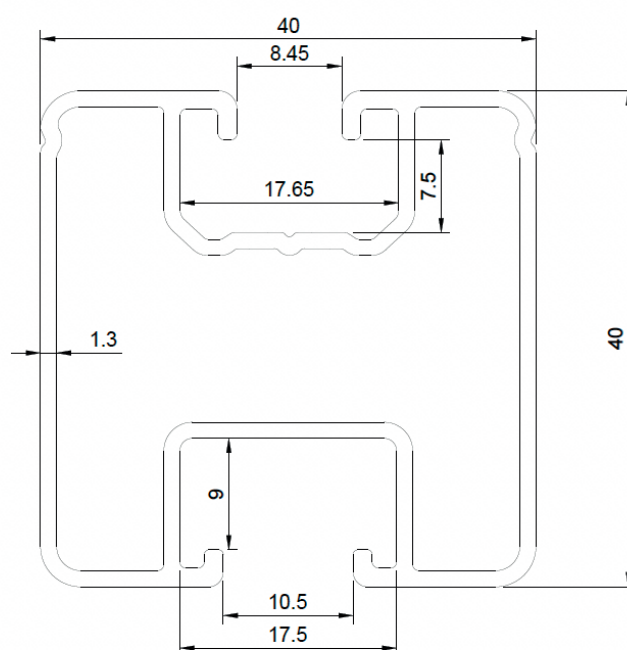
*These values do not include safety margin and only apply to setups where the profile is evenly supported by 3 points. Allimex Green Power is not responsible for incorrect use.

PROFILE ULTRALIGHT ALLIHOME

DATASHEET

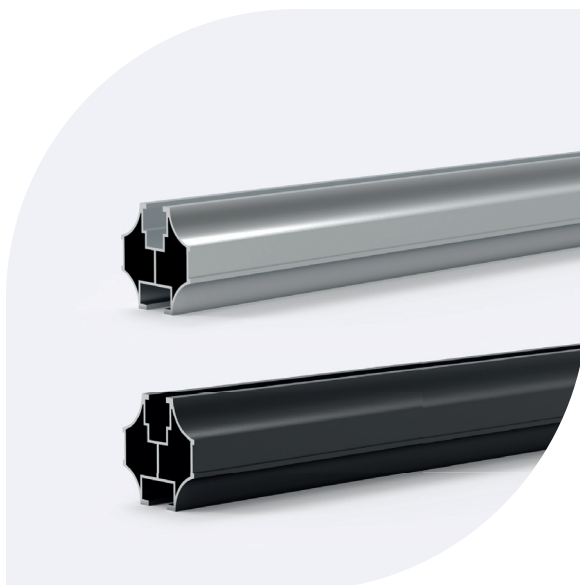
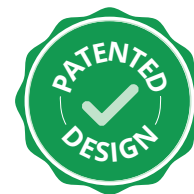


ARTICLE CODE	1AHM43AL005 (6,20m alu) 1AHM43ZW004 (6,20m black)
MATERIAL	ALU6063T5
COLOR	alu / black
WEIGHT	782 gr / m
APPLICATION	pitched roof, tile roof, corrugated roof, slate roof, zinc roof
PACKAGING	96 pcs/bundle



PROFILE FEATHER ALLiHOME

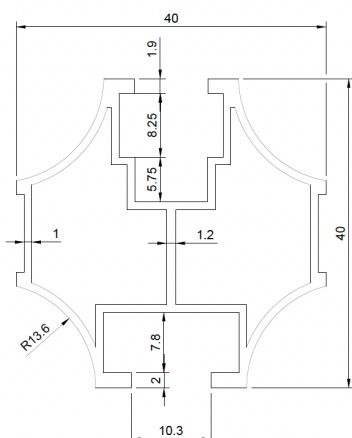
DATASHEET



ARTICLE CODE	1AHM43AL024 (5,85m alu) 1AHM43ZW024 (5,85m black)
MATERIAL	ALU6063T5
COLOR	alu / black
WEIGHT	600 gr / m
APPLICATION	pitched roof, tile roof, steel deck trapezoid, corrugated roof, slate roof, zinc roof
PACKAGING	96 pcs/bundle (packed per 3)

SPAN TABLE

Maximum load (kg)*	Span (m)					
		1,20	1,30	1,40	1,50	1,60
0°		128	119	110	103	96
22°		151	139	129	120	113
45°		141	130	121	112	105



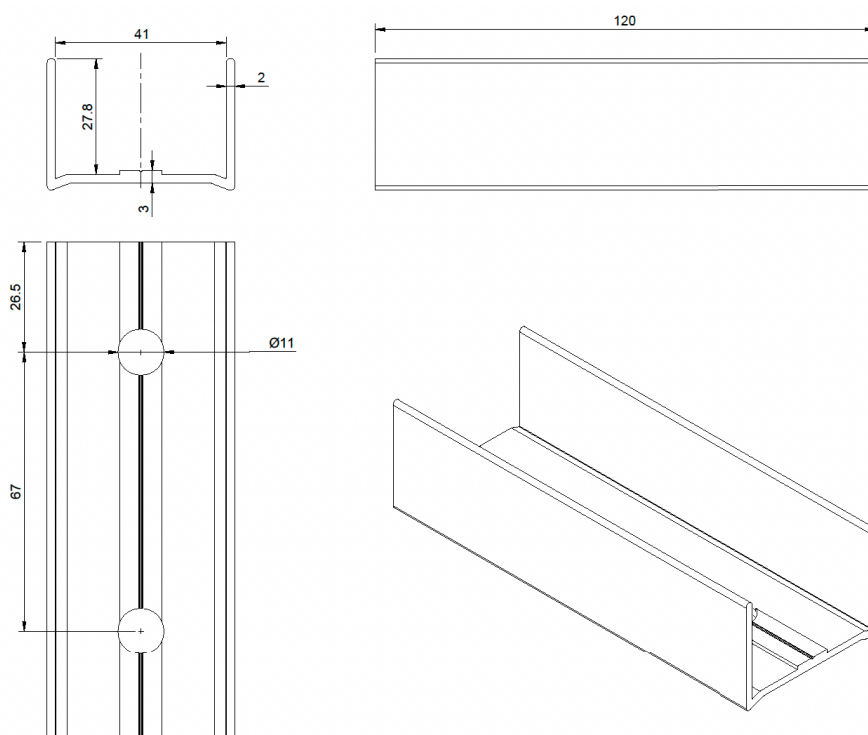
*These values do not include safety margin and only apply to setups where the profile is evenly supported by 3 points. Allimex Green Power is not responsible for incorrect use.

PROFILE CONNECTOR 40MM

DATASHEET



ARTICLE CODE	1AHMACPV001 (alu) 1AHMACPV002 (black)
MATERIAL	ALU6063T5
COLOR	alu / black
WEIGHT	60 gr
APPLICATION	pitched roof, tile roof, steel deck trapezoid, corrugated roof, slate roof, zinc roof, profile Allimex
PACKAGING	100 pcs/carton, 4.400 pcs/pallet

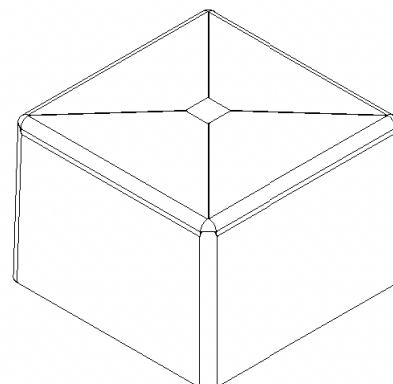
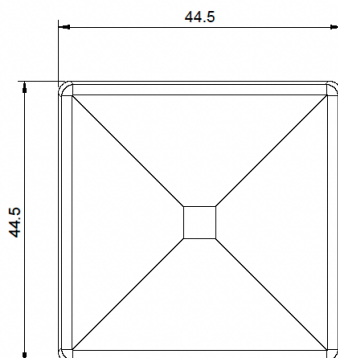
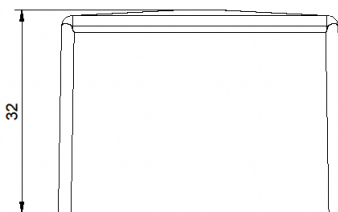


STOPPER PROFILE 40X40

DATASHEET

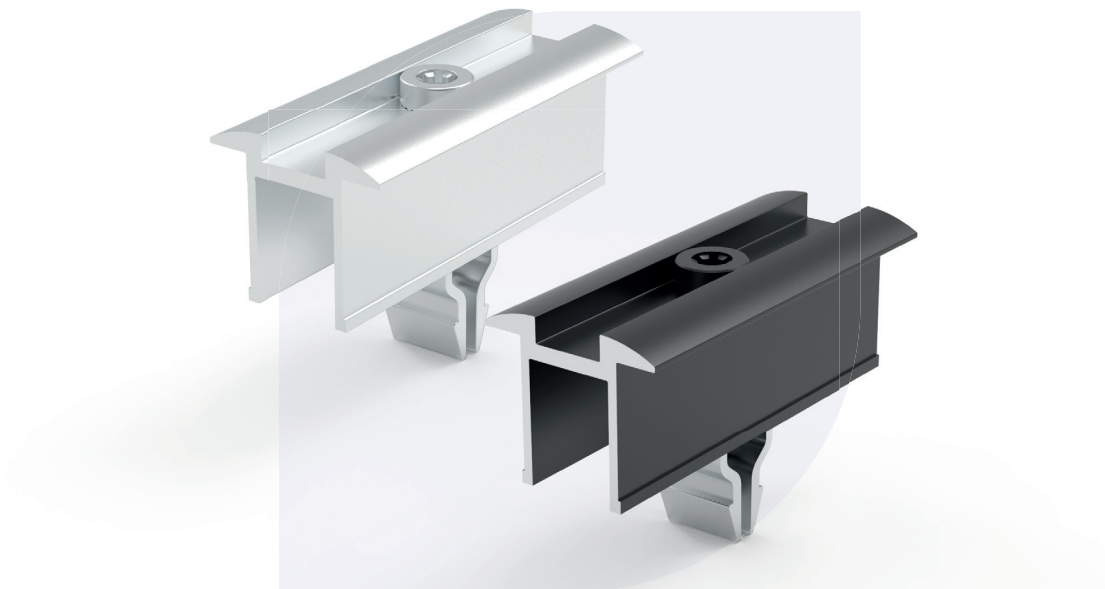


ARTICLE CODE	1AHMACPS002 (alu) 1AHMACPS001 (black)
MATERIAL	PE
COLOR	alu / black
WEIGHT	10 gr
APPLICATION	pitched roof, tile roof, steel deck trapezoid, corrugated roof, slate roof, zinc roof, profile Allimex
PACKAGING	150 pcs/carton, 720 pcs/pallet

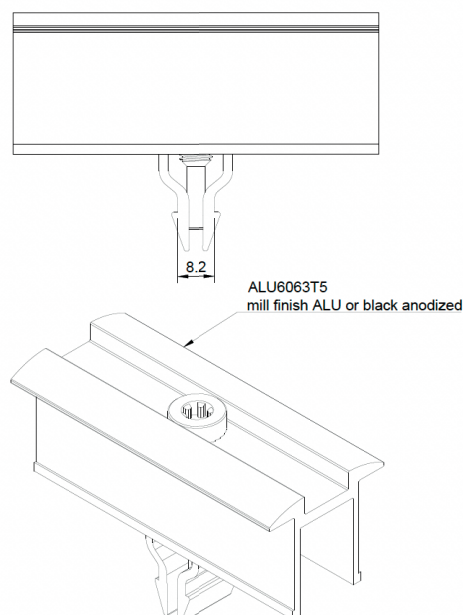
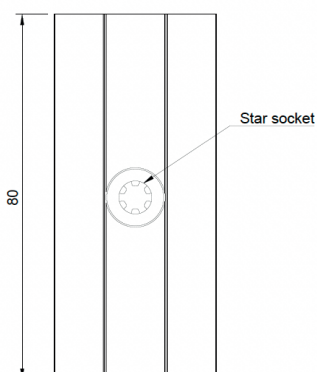
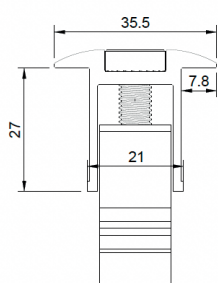


MIDDLE CLAMP CLICK 30-40 MM

DATASHEET

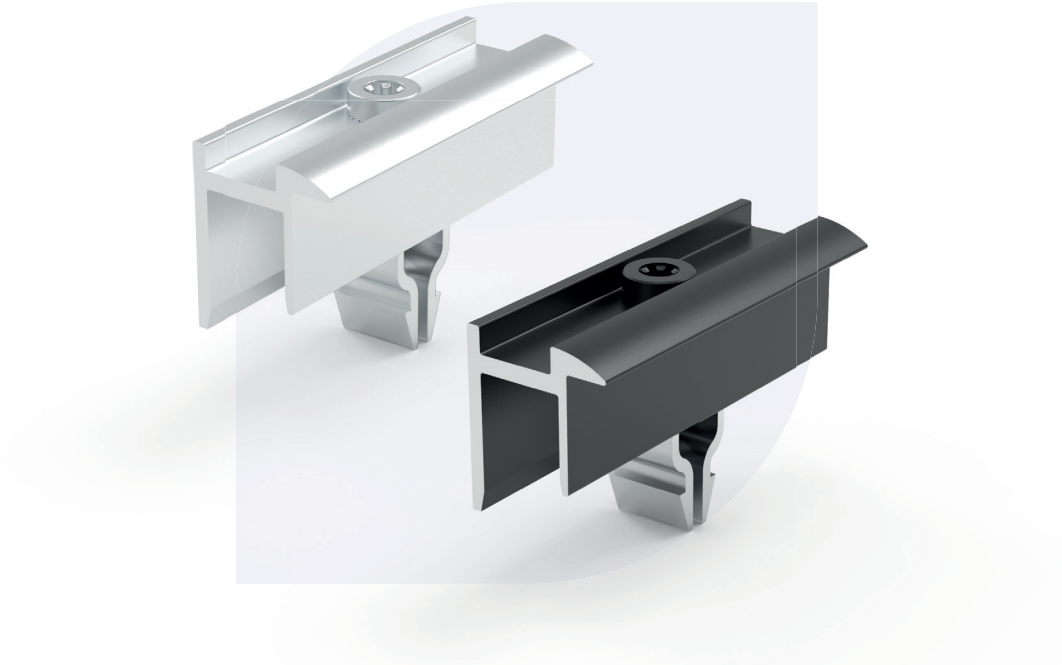


ARTICLE CODE	1AHM32KK003 (alu) 1AHM32KK004 (black)
MATERIAL	ALU6063T5 + A2
COLOR	alu / black
WEIGHT	70 gr
APPLICATION	pitched roof, tile roof, steel deck trapezoid, corrugated roof, slate roof, zinc roof
PACKAGING	100 pcs/carton, 4.800 pcs/pallet

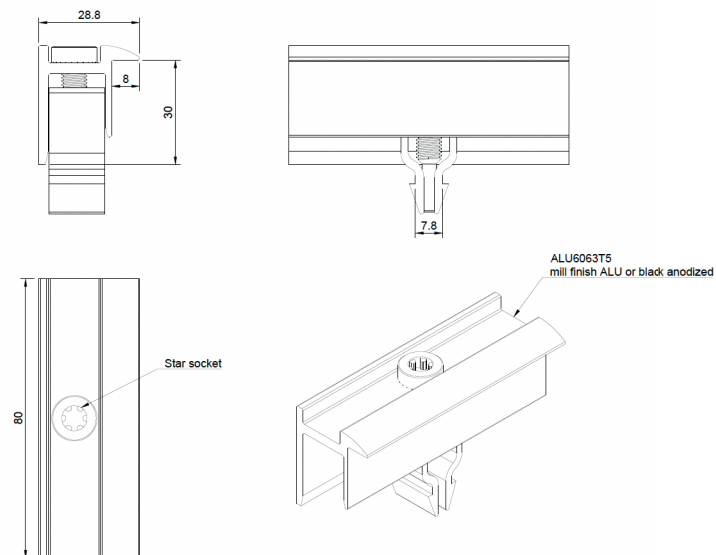


END CLAMP CLICK 30 MM

DATASHEET



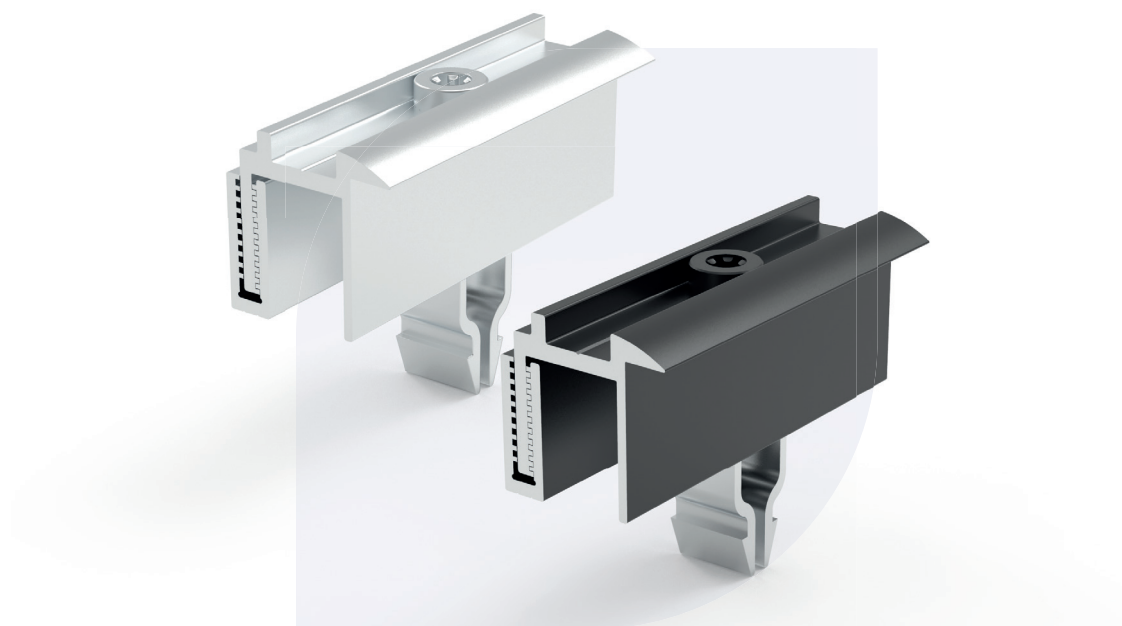
ARTICLE CODE	1AHM32KK024 (alu) 1AHM32KK025 (black)
MATERIAL	ALU6063T5 + A2
COLOR	alu / black
WEIGHT	80 gr
APPLICATION	pitched roof, tile roof, steel deck trapezoid, corrugated roof, slate roof, zinc roof
PACKAGING	100 pcs/carton, 4.800 pcs/pallet



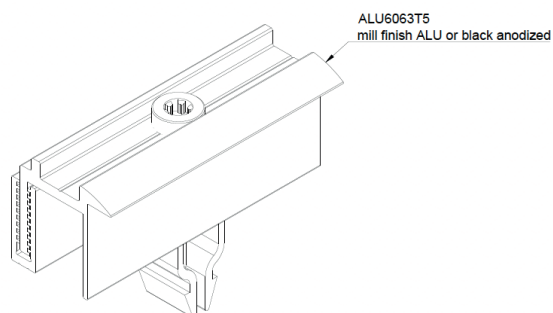
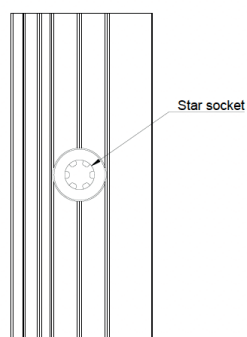
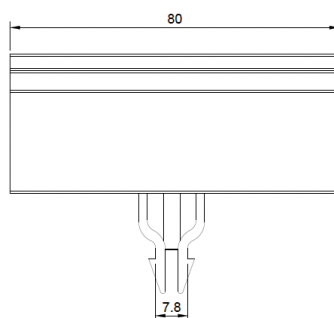
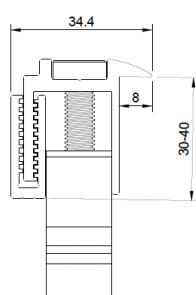
	alu	black	kg
30 mm	1AHM32KK024	1AHM32KK025	0,08
35 mm	1AHM32KK010	1AHM32KK016	0,08

END CLAMP CLICK 30-40 MM

DATASHEET

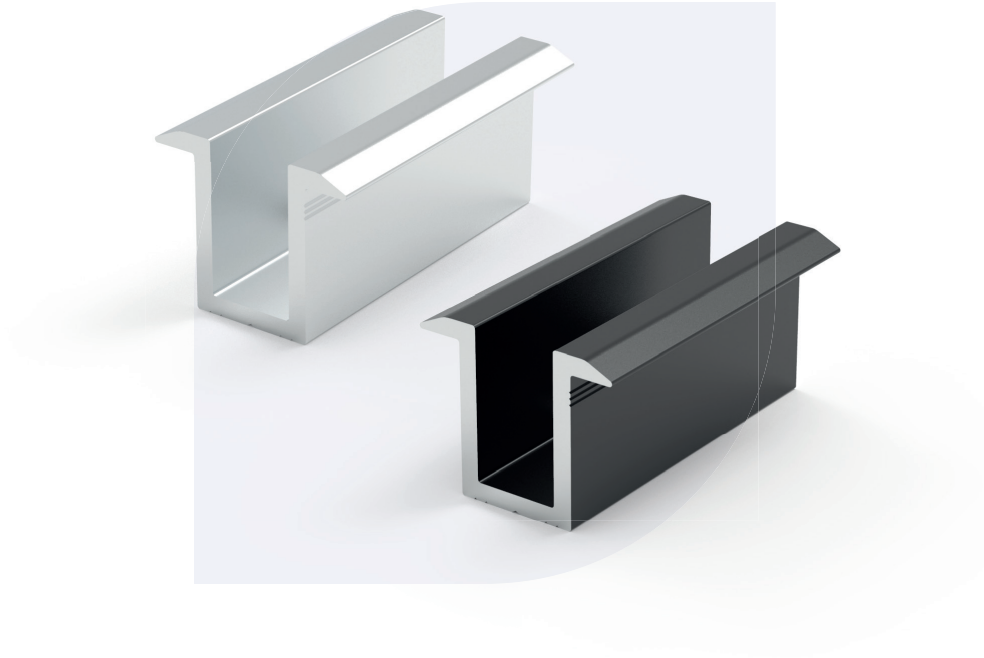


ARTICLE CODE	1AHM32KK008 (alu) 1AHM32KK009 (black)
MATERIAL	ALU6063T5 + A2
COLOR	alu / black
WEIGHT	70 gr
APPLICATION	pitched roof, tile roof, steel deck trapezoid, corrugated roof, slate roof, zinc roof
PACKAGING	100 pcs/carton, 4.800 pcs/pallet

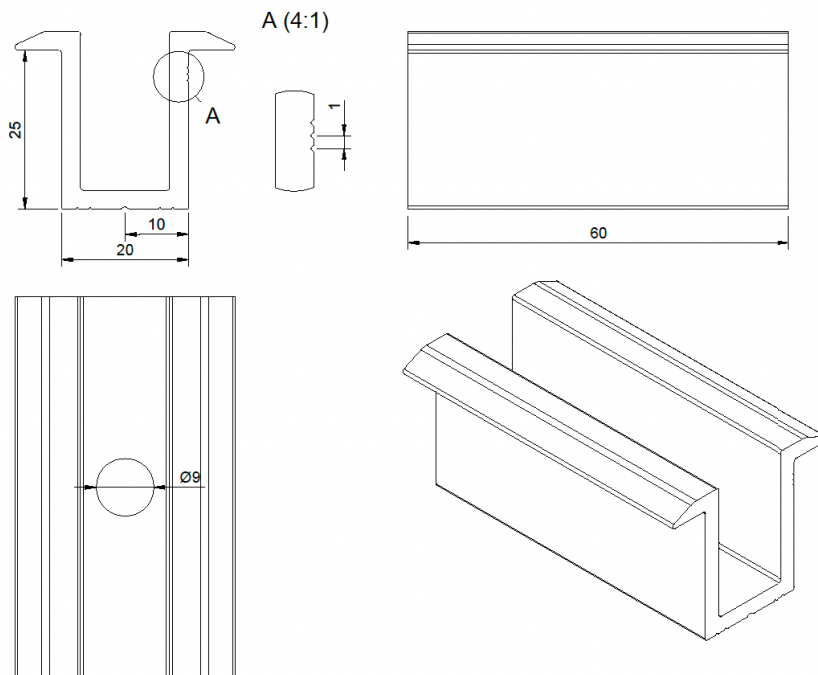


MIDDLE CLAMP BASIC LENGTH 60 MM

DATASHEET



ARTICLE CODE	1AHM32SR085 (alu) 1AHM32SR086 (black)
MATERIAL	ALU6063T5
COLOR	alu / black
WEIGHT	50 gr
APPLICATION	pitched roof, tile roof, steel deck trapezoid, corrugated roof, slate roof, zinc roof
PACKAGING	100 pcs/carton (packed per 10), 9.000 pcs/pallet

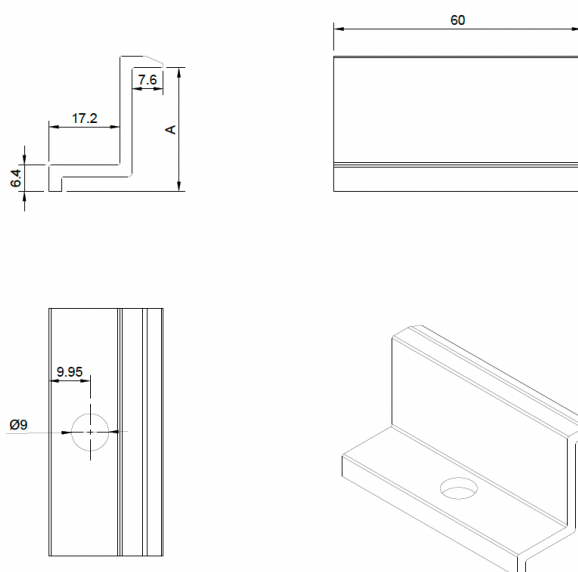


END CLAMP 30MM LENGTH 60 MM

DATASHEET



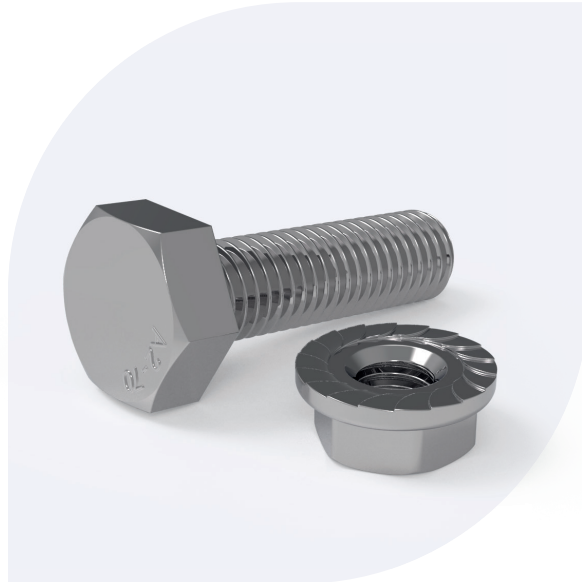
ARTICLE CODE	1AHM32SR069 (alu) 1AHM32SR070 (black)
MATERIAL	ALU6063T5
COLOR	alu / black
WEIGHT	30 gr
APPLICATION	pitched roof, tile roof, steel deck trapezoid, corrugated roof, slate roof, zinc roof
PACKAGING	300 pcs/carton (packed per 20), 27.000 pcs/pallet



	alu	black	kg
30 mm	1AHM32SR069	1AHM32SR070	0,03
35 mm	1AHM32SR071	1AHM32SR072	0,03

HEX BOLT M10X30 KNURLED NUT M10

DATASHEET

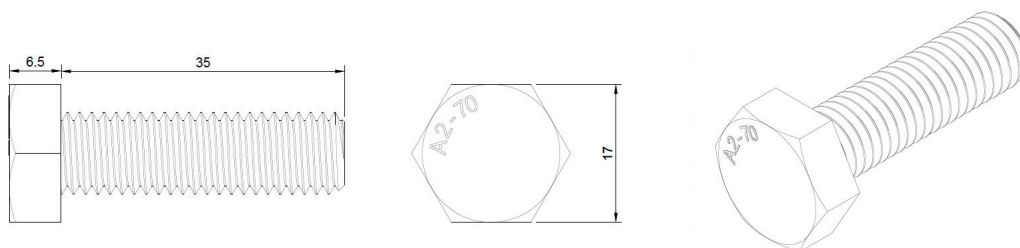


HEX BOLT M10X30

ARTICLE CODE	1AHM10BT37
MATERIAL	SSA2
COLOR	SS
WEIGHT	25 gr
APPLICATION	pitched roof, tile roof, steel deck trapezoid, corrugated roof, slate roof, zinc roof
PACKAGING	100 pcs/carton, 30.000 pcs/pallet

KNURLED NUT M10

ARTICLE CODE	1AHM10MR001
MATERIAL	SSA2
COLOR	SS
WEIGHT	10 gr
APPLICATION	hex bolt M10x30
PACKAGING	100 pcs/carton, 1.200 pcs/pallet



ALLEN BOLT M8X20

SNAP NUT M8

DATASHEET

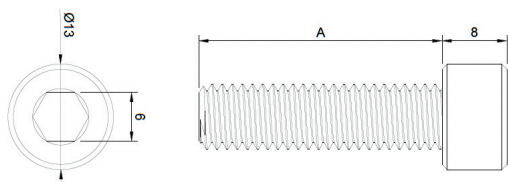


ALLEN BOLT M8X20

ARTICLE CODE	1AHM10BT015
MATERIAL	SSA2
COLOR	alu
WEIGHT	10 gr
APPLICATION	pitched roof, tile roof, steel deck trapezoid, corrugated roof, slate roof, zinc roof
PACKAGING	200 pcs/carton

SNAP NUT M8

ARTICLE CODE	1AHM10MR004
MATERIAL	SSA2 + ALU6061
COLOR	alu
WEIGHT	4 gr
APPLICATION	Allen bolt M8x20
PACKAGING	200 pcs/carton



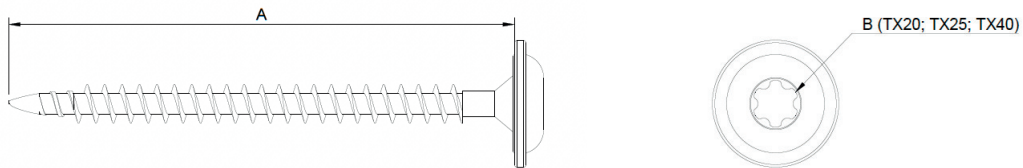
	Allen bolt	kg
M8x20	1AHM10BT015	0,01
M8x25	1AHM10BT017	0,02
M8x30	1AHM10BT019	0,02

WOOD SCREW 6X70 TX25

DATASHEET



ARTICLE CODE	1AHM46HT001(6x70 TX25)
MATERIAL	SSA2
COLOR	alu
WEIGHT	10 gr
APPLICATION	pitched roof, tile roof, slate roof
PACKAGING	100 pcs/carton, 1.200 pcs/outer carton, 28.800 pcs/pallet



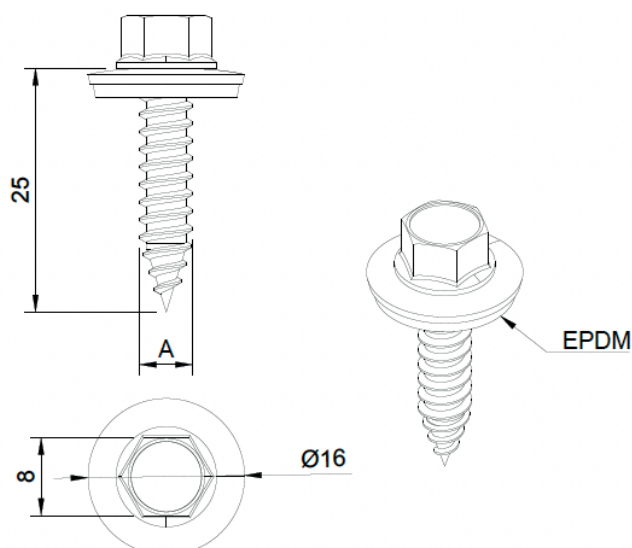
A	B		kg
6x70	TX25	1AHM46HT001	0,01
8x60	TX40	1AHM46HT002	0,02
8x70	TX40	1AHM46HT003	0,02
8x80	TX40	1AHM46HT004	0,02

BI-METAL SCREW FOR STEEL DECK 6,0X25

DATASHEET



ARTICLE CODE	1AHM46BM003
MATERIAL	SSA2
COLOR	alu
WEIGHT	10 gr
APPLICATION	pitched roof, steel deck trapezoid
PACKAGING	100 pcs/carton, 1.400 pcs/outer carton



A			kg
4,5	x25	1AHM46BM001	0,01
5,5	x25	1AHM46BM004	0,01
6,0	x25	1AHM46BM003	0,01
6,6	x25	1AHM46BM005	0,01

ALL-IN SUPPLIER
OF GREEN ENERGY SOLUTIONS

info@allimex-greenpower.eu
www.allimexgreenpower.com

Headquarters

Transportstraat 1B, 3980 Tessenderlo, Belgium
+32 (0) 11 72 96 50
BE 0535 679 035

Dutch branch

Teugseweg 9, 7418 AM Deventer, the Netherlands
+31 (0) 85 732 69 46
NL 860425289B01



Distributed by **DISTRIBUTION RED**