

ALLiN

MM MOUNTING
MATERIALS

The right mounting system for every roof.

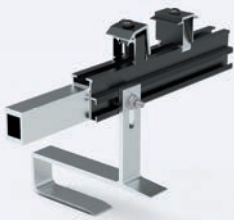


Want to know more?

Scan the QR code to learn more about ALLiN.

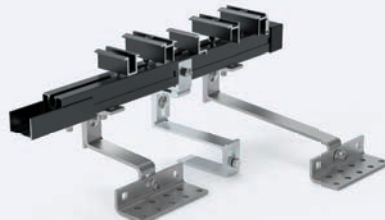
www.allimexgreenpower.com

DISCOVER OUR OTHER MOUNTING SYSTEMS



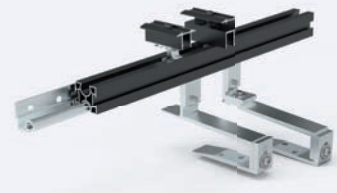
ALLiFIX

The latest roof top sliding system for the residential market. The adjustable clamps and lightweight profile ensure smooth mounting.



ALLiHOME

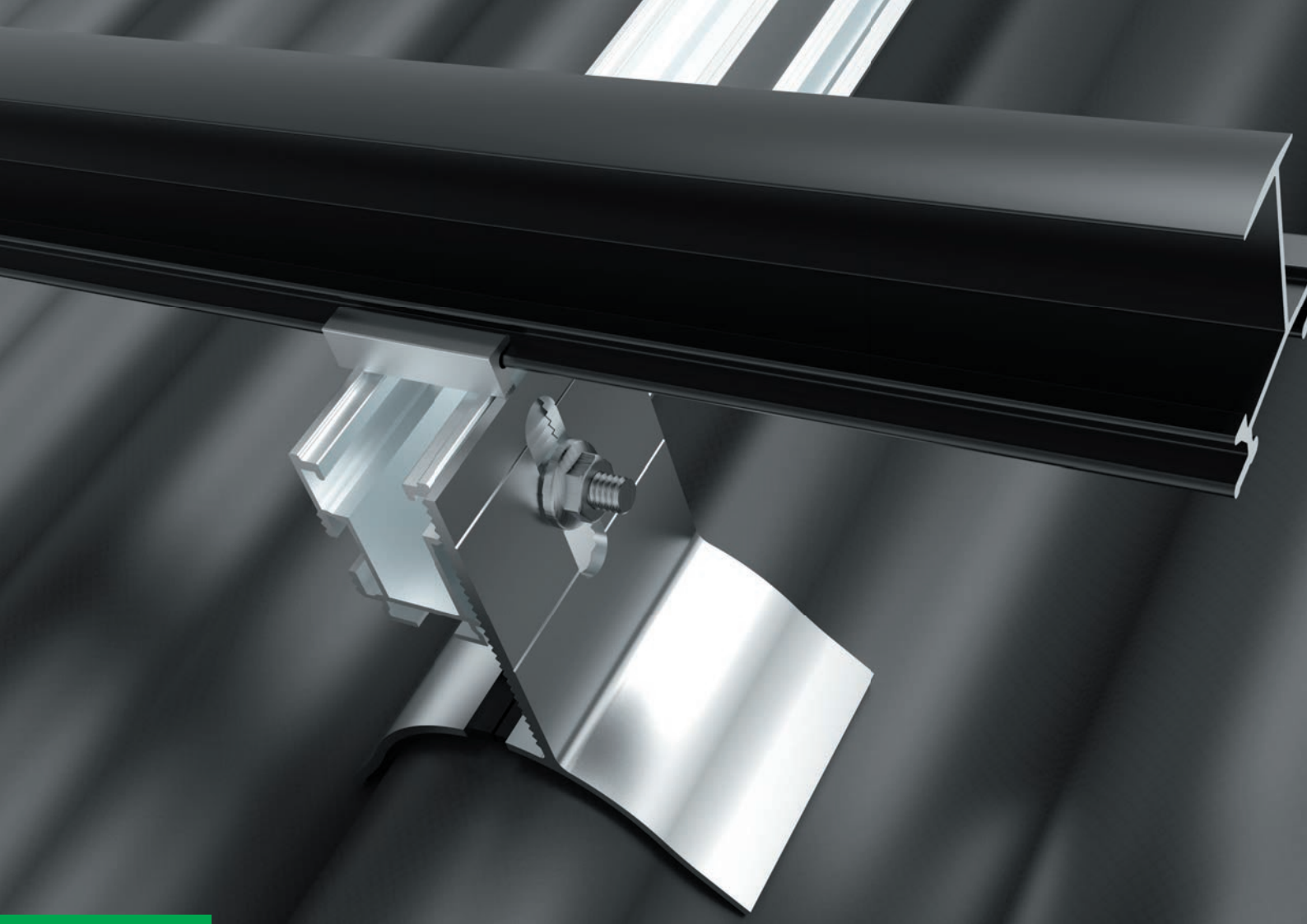
The universal mounting system for various roof types and applications. Compatible with most solar panels thanks to the variation of clamps.



ALLiSLIDE

The hybrid mounting system with only 5 components. Suitable for sliding AND screwing, in landscape and portrait orientation.





ALLiN

INLAY MOUNTING SYSTEM

The well-known inlay mounting system for various types of pitched roofs. With this on-roof inlay system, solar panels can be installed quickly and easily by sliding them in the mounting profiles. Without any screws or clamps!



COMPATIBLE

ALLiN is designed for different pitched roof types and is suitable for landscape and portrait mounting. The system is compatible with 99% of all solar panels.



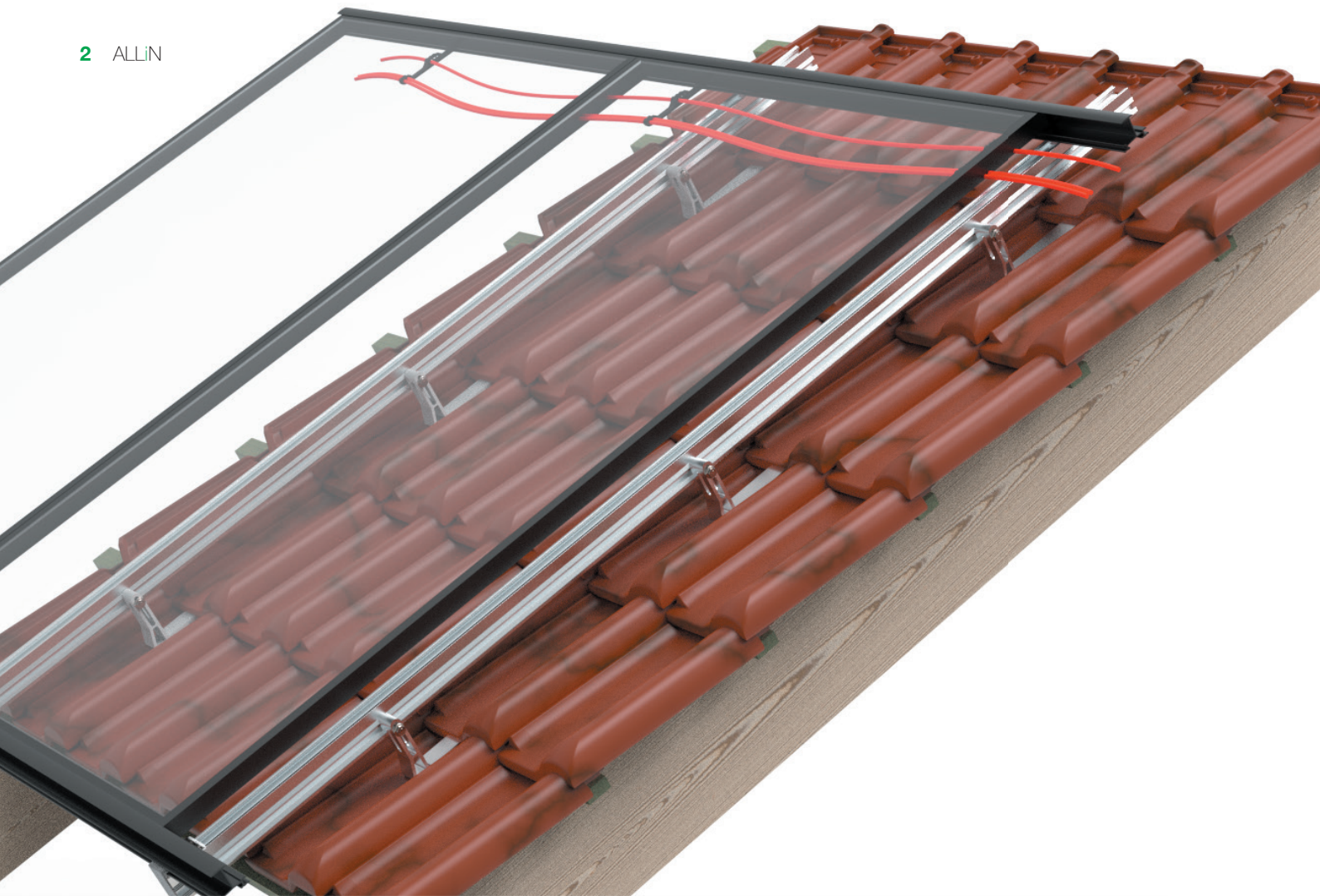
HIGH-PERFORMING

You don't need any screws or clamps; this works significantly faster and reduces the risk of microcracks. The raised profiles give you more room for optimizers and power cables.

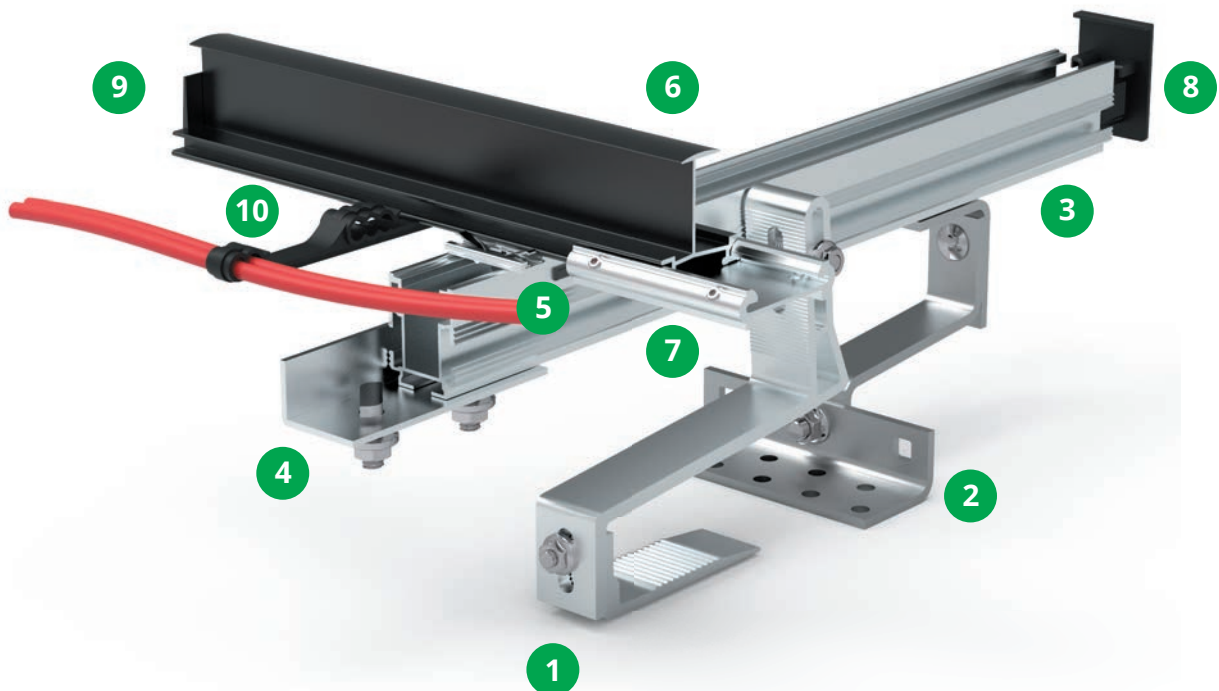
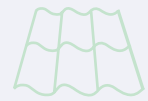


ATTRACTIVE

With ALLiN, you place the panels against each other in a closed field with no clamping distance or protruding profiles. ALLiN is also available in a black version for a sleek finish.



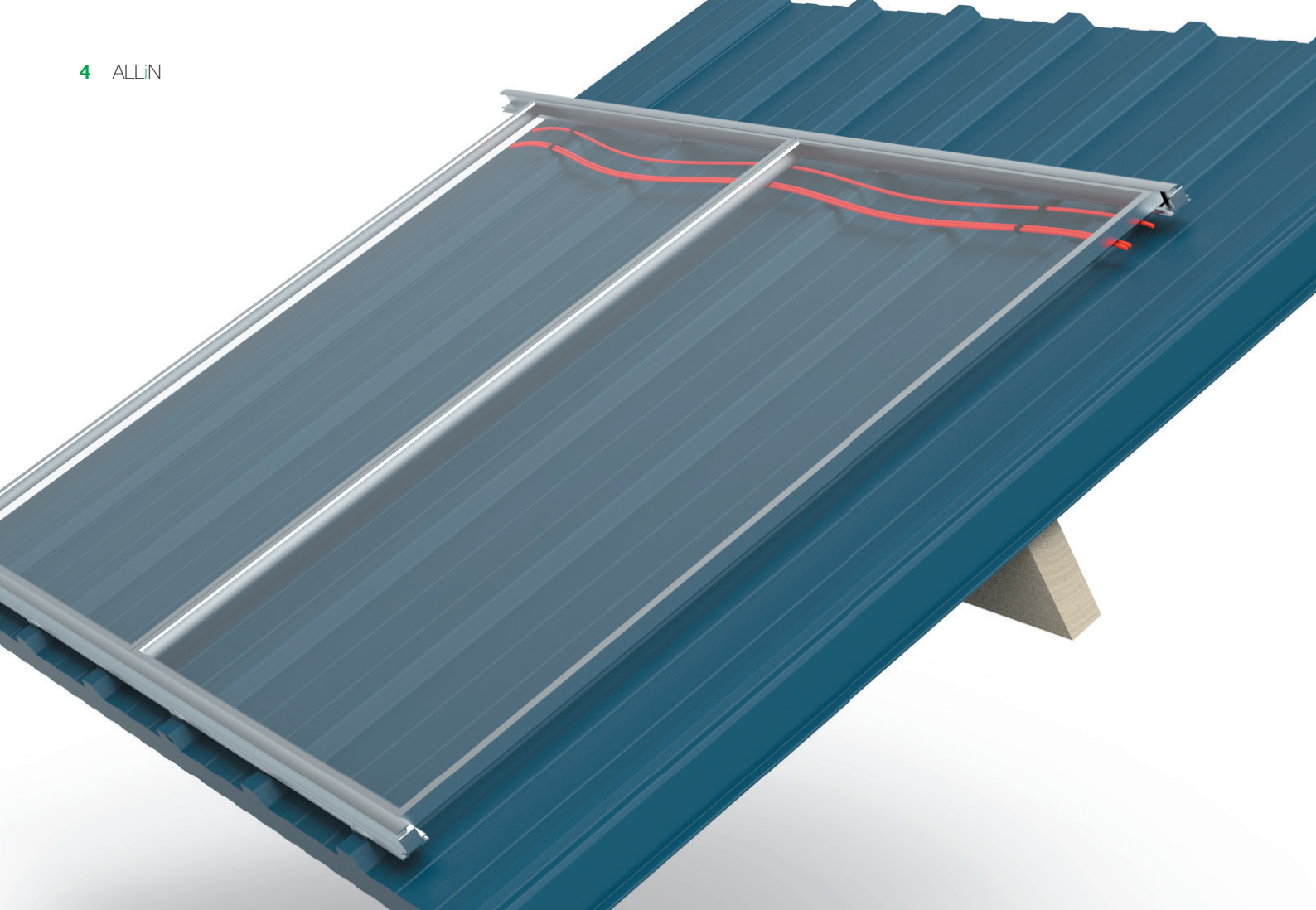
TILE ROOF



COMPONENTS



	ARTICLE CODE	ARTICLE DESCRIPTION	DATASHEET
1	1AIN15DE001	Roof hook ALLiN single adjustable	p. 11
	1AHM10BT006 1AHM10MR003	Hammerhead bolt M8x53 Knurled nut M8	p. 29
2	1AHM15DD001	Roof hook double adjustable	p. 12
	1AHM10BT003 1AHM10MR001	Hammerhead bolt M10x30 Knurled nut M10	p. 30
3	1AIN43AL001 1AIN43ZW008	Bottom profile ALLiN 6,20m alu Bottom profile ALLiN 6,20m black	p. 19
4	1AIN43PV003	Profile connector bottom profile ALLiN sideways (2x hammerhead bolt M10x20, knurled nut M10)	p. 20
5	1AIN15DV004	Bracket ALLiN with bolt and nut	p. 21
6	1AIN43AL017 1AIN43ZW011	Profile ALLiN 30mm 6,20m alu Profile ALLiN 30mm 6,20m black <i>Other lengths available on request</i>	p. 22
7	1AIN43AC003	Profile connector ALLiN with 2x M6 bolt alu	p. 24
8	1AIN43AC005 1AIN43AC004	Stopper bottom profile ALLiN grey Stopper bottom profile ALLiN black	p. 25
9	1AIN43AC001 1AIN43AC002	Endpiece profile ALLiN low with M6 grey Endpiece profile ALLiN low with M6 black	p. 26
10	1AIN99AC001	Cable clip ALLiN	p. 28



STEEL DECK TRAPEZOID



COMPONENTS



	ARTICLE CODE	ARTICLE DESCRIPTION	DATASHEET
1	1AIN15DV003	Bracket ALLiN with EPDM for steel deck low	p. 13
2	1AIN43AL017 1AIN43ZW011	Profile ALLiN 30mm 6,20m alu Profile ALLiN 30mm 6,20m black <i>Other lengths available on request</i>	p. 22
3	1AIN43AC003	Profile connector ALLiN with 2x M6 bolt alu	p. 24
4	1AIN43AC001 1AIN43AC002	Endpiece profile ALLiN low with M6 grey Endpiece profile ALLiN low with M6 black	p. 26
5	1AIN99AC001	Cable clip ALLiN	p. 28

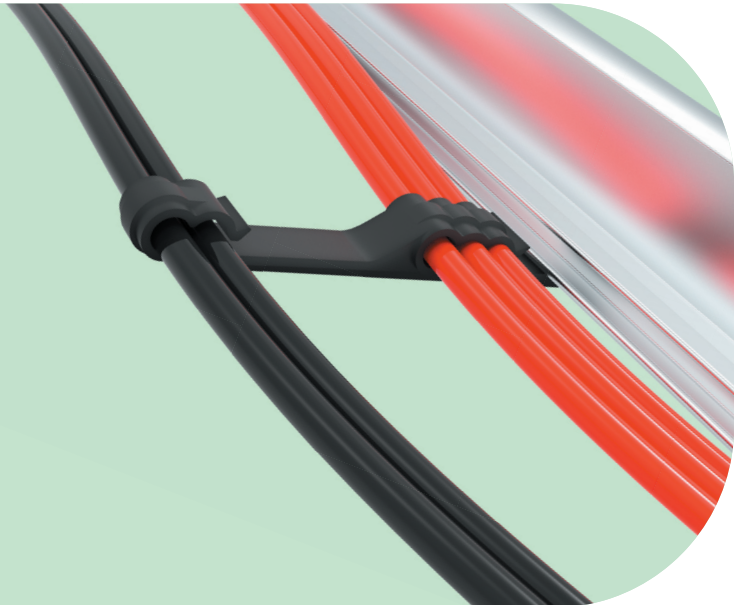
CABLE CLIP

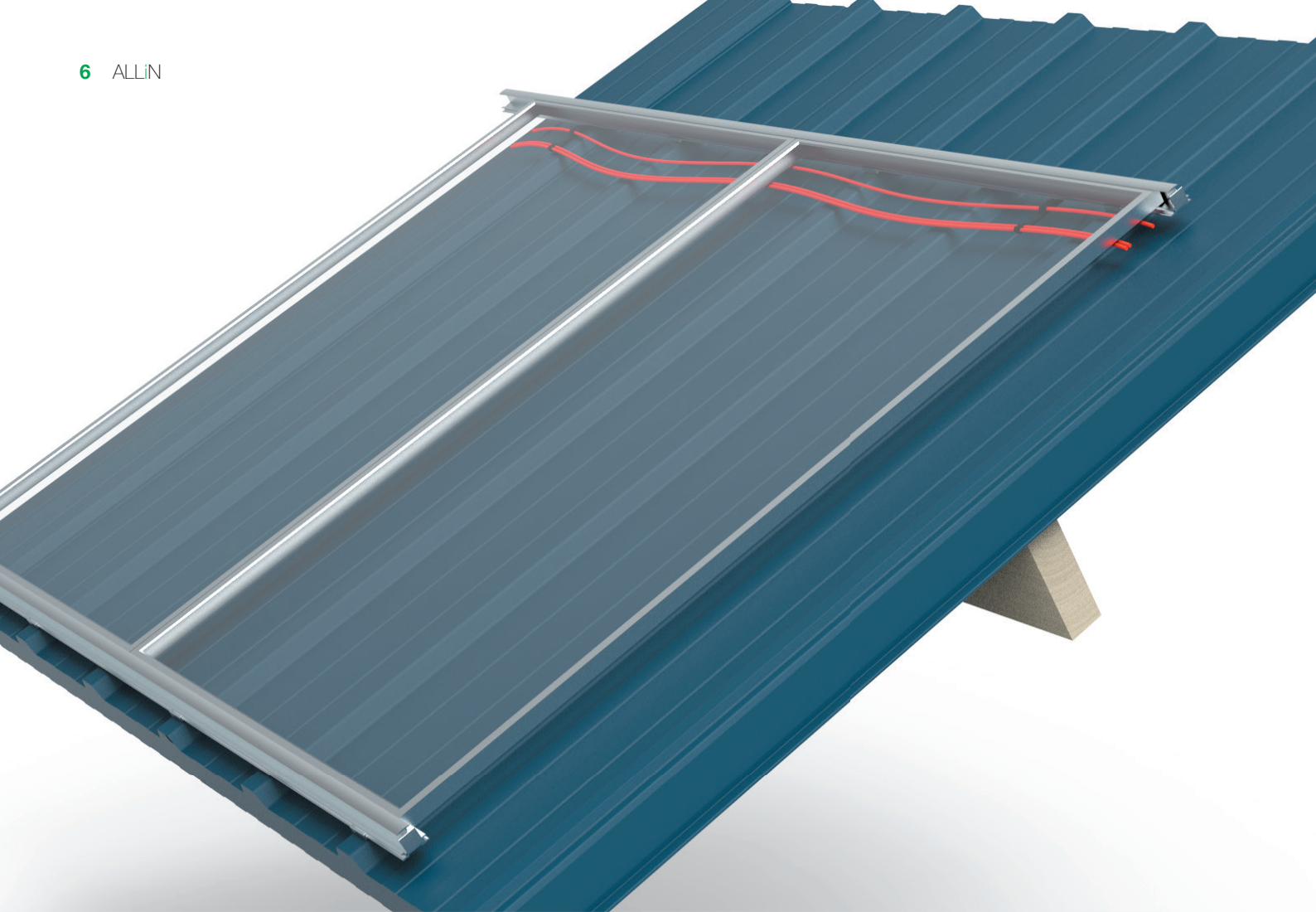
Go for optimal **cable management** with our cable clips for the ALLiN inlay system.

- You quickly and easily screw the cable clip under any inlay profile.
- Then, the cables are attached in the provided holders.

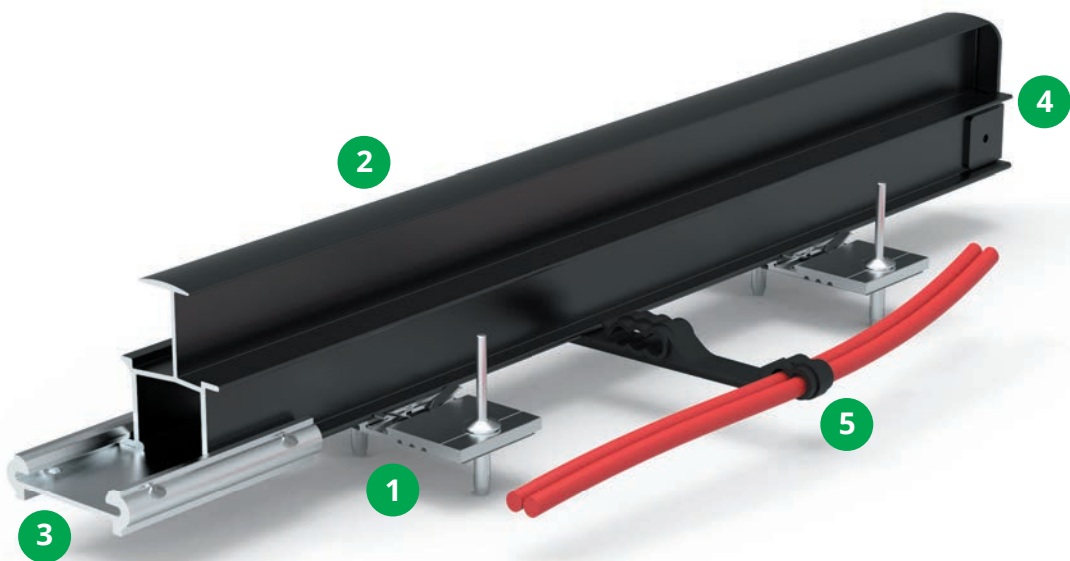
The black cable clip is attractive, UV-resistant and easy to handle.

This cable clip ensures a safe solar installation.











STEEL DECK TRAPEZOID RAISED



COMPONENTS



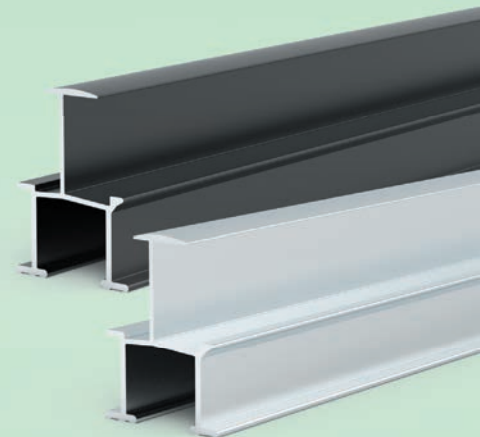
	ARTICLE CODE	ARTICLE DESCRIPTION	DATASHEET
1	 1AIN15DV005	Double bracket ALLiN for steel deck raised	p. 14
2	 1AIN43AL018 1AIN43ZW012	Profile ALLiN 30mm raised 6,20m alu Profile ALLiN 30mm raised 6,20m black	p. 23
3	 1AIN43AC003	Profile connector ALLiN with 2x M6 bolt alu	p. 24
4	 1AIN43AC007 1AIN43AC006	Endpiece ALLiN raised profile grey Endpiece ALLiN raised profile black	p. 27
	 1AIN99AC003	Self-tapping screws 3,9x19 hex head	p. 31
5	 1AIN99AC001	Cable clip ALLiN	p. 28

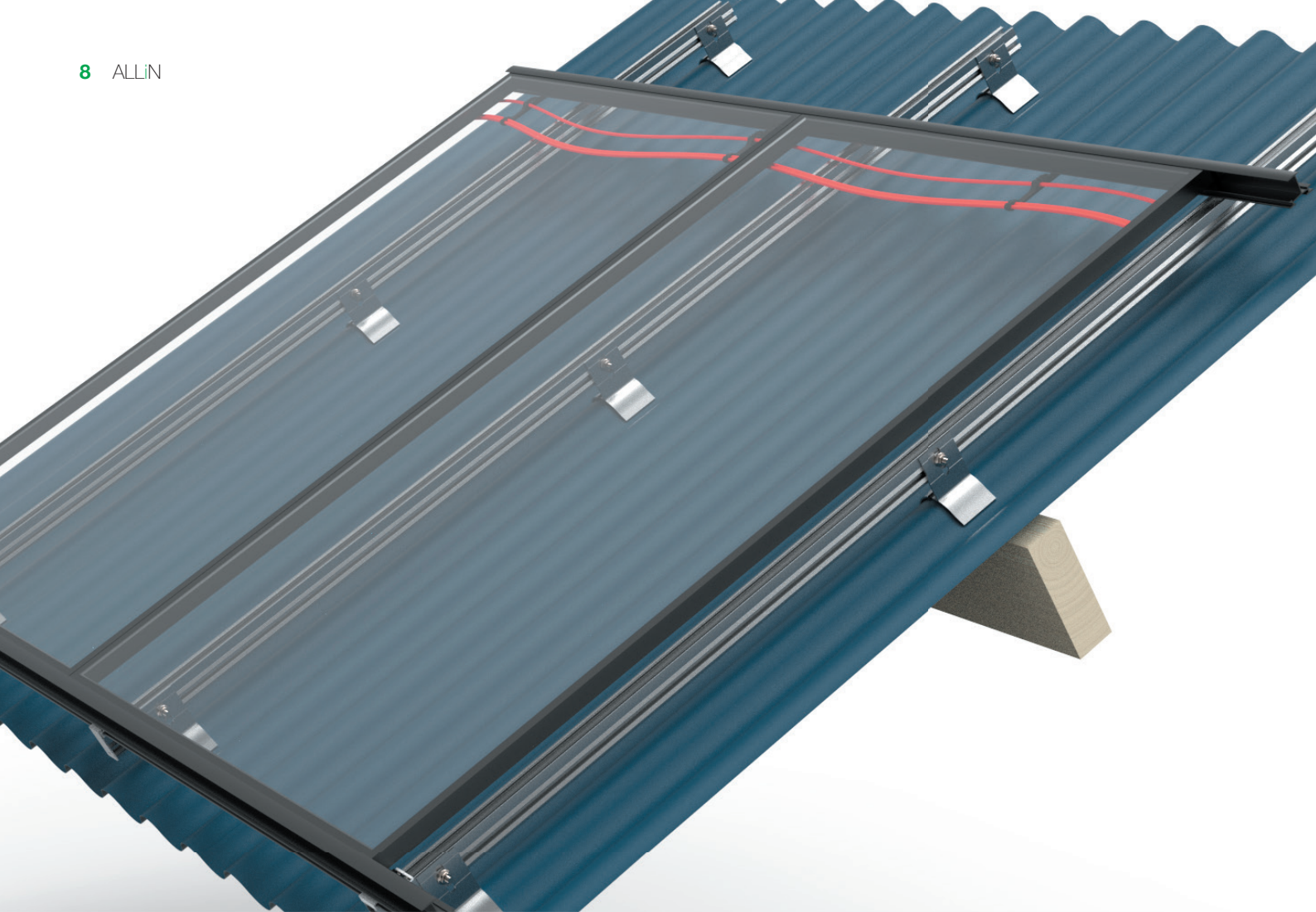
RAISED PROFILE

We developed a raised version of the standard inlay profile. This raised profile has several additional benefits:

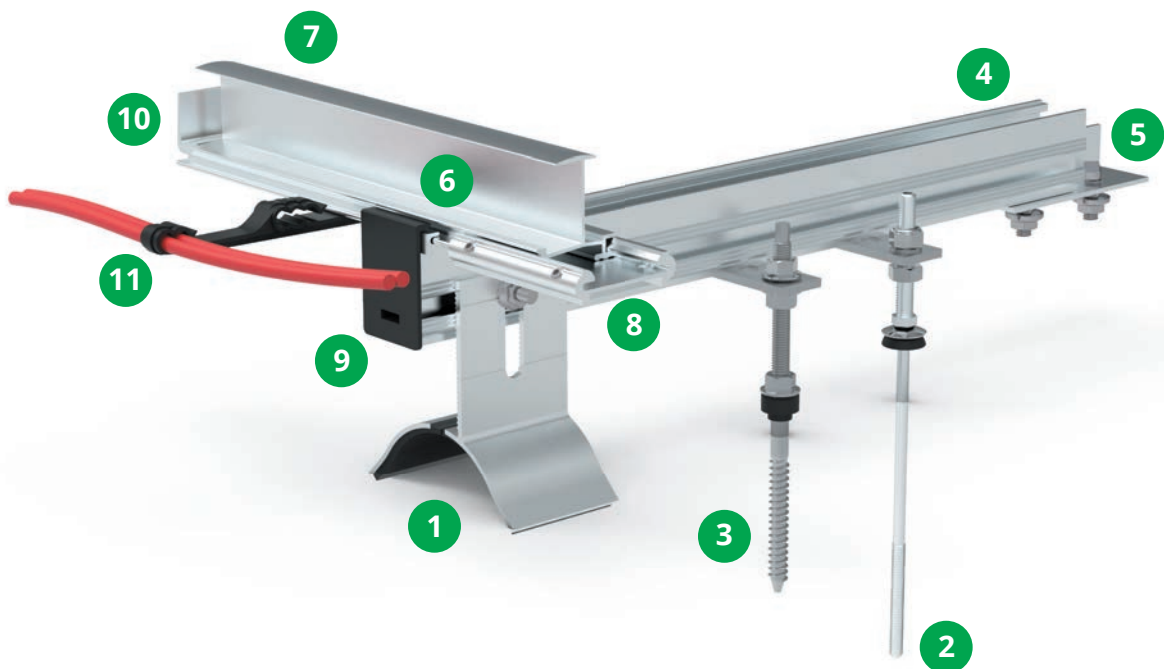
- Additional space for optimizers;
- More room for cables with the cable clip;
- Optimal ventilation of the solar panels, resulting in higher efficiency.

The raised profile is always mounted on the double bracket. This ensures an extra sturdy substructure for the solar panel installation.





CORRUGATED ROOF



COMPONENTS



	ARTICLE CODE	ARTICLE DESCRIPTION	DATASHEET
1	 1AIN15DV007	Hook ALLiN corrugated sheet	p. 15
2	 1AHM15SS026	Hanger bolt for metal construction 8x200/70	p. 16
	 1AHMACMP001	Mounting plate 110x40x5mm	p. 17
3	 1AHM15SS004	Hanger screw with mounting plate M10x200	p. 18
	 1AHM10BT003 1AHM10MR001	Hammerhead bolt M10x30 Knurled nut M10	p. 30
4	 1AIN43AL001 1AIN43ZW008	Bottom profile ALLiN 6,20m alu Bottom profile ALLiN 6,20m black	p. 19
5	 1AIN43PV003	Profile connector bottom profile ALLiN sideways (2x hammerhead bolt M10x20, knurled nut M10)	p. 20
6	 1AIN15DV004	Bracket ALLiN with bolt and nut	p. 21
7	 1AIN43AL017 1AIN43ZW011	Profile ALLiN 30mm 6,20m alu Profile ALLiN 30mm 6,20m black <i>Other lengths available on request</i>	p. 22
8	 1AIN43AC003	Profile connector ALLiN with 2x M6 bolt alu	p. 24
9	 1AIN43AC005 1AIN43AC004	Stopper bottom profile ALLiN grey Stopper bottom profile ALLiN black	p. 25
10	 1AIN43AC001 1AIN43AC002	Endpiece profile ALLiN low with M6 grey Endpiece profile ALLiN low with M6 black	p. 26
11	 1AIN99AC001	Cable clip ALLiN	p. 28

ALLiN - WHAT'S NEW?

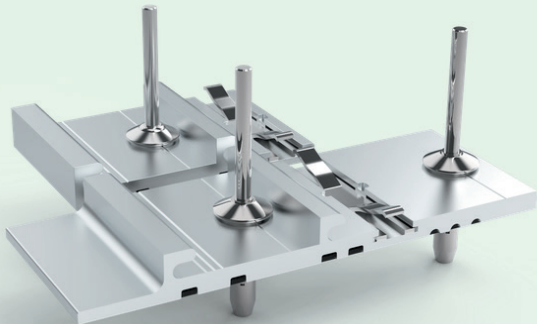
IMO-IMOMEC
 ▶▶ UHASSELT imec

PEUTZ

TESTED AND APPROVED

We place great importance on the security of our systems. We were the first manufacturer to have the inlay system tested for steel deck and corrugated metal roofs. Based on the results, we further improved our range.

ALLiN was tested for mechanical loads (compressive and suction forces) and underwent several wind tunnel tests. We incorporated the results of the tests into our calculation software.



DOUBLE BRACKET FOR RAISED PROFILE

With the inlay system, you can choose a standard or raised inlay profile. With such a raised profile, there is more leverage on the roof. Therefore, we developed a double bracket to prevent tilt.

The double bracket has a longer plate and extra pop rivet. So you can be sure of a durable and high-quality connection on steel deck trapezoid roof.

RELEASE TOOL

Our brackets for the inlay system have a spring that makes them extra sturdy. This makes it a little more difficult to release a misplaced profile.

Thanks to our release tool, you can "click" the profile out of the brackets more easily. You push the spring down with the tool, and with the other hand you easily click the rail loose.

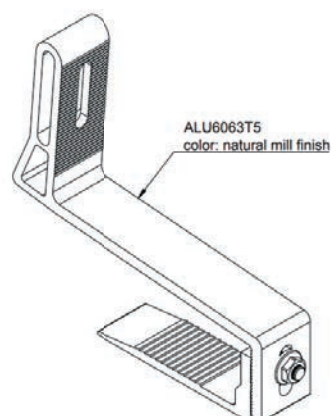
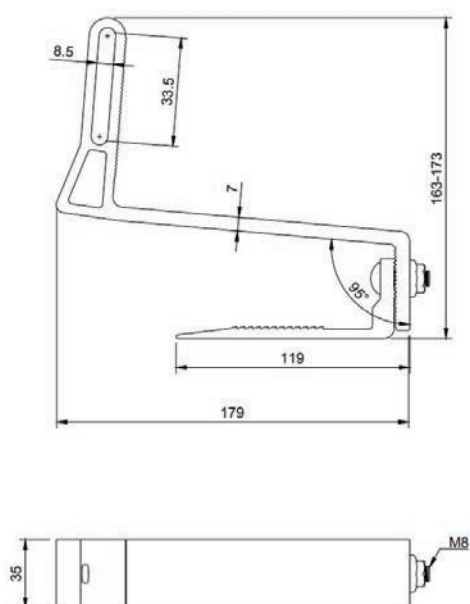


ROOF HOOK ALLiN DOUBLE ADJUSTABLE

DATASHEET



ARTICLE CODE	1AIN15DE001
MATERIAL	ALU6063T5
COLOUR	alu
WEIGHT	310 gr
APPLICATION	pitched roof, tile roof

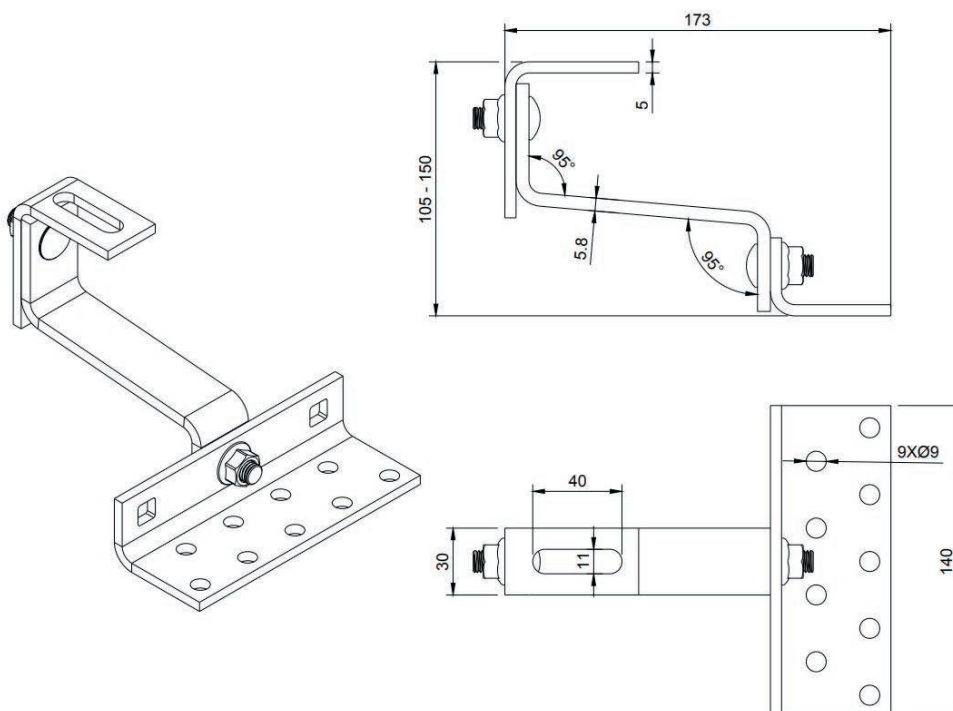


ROOF HOOK DOUBLE ADJUSTABLE

DATASHEET

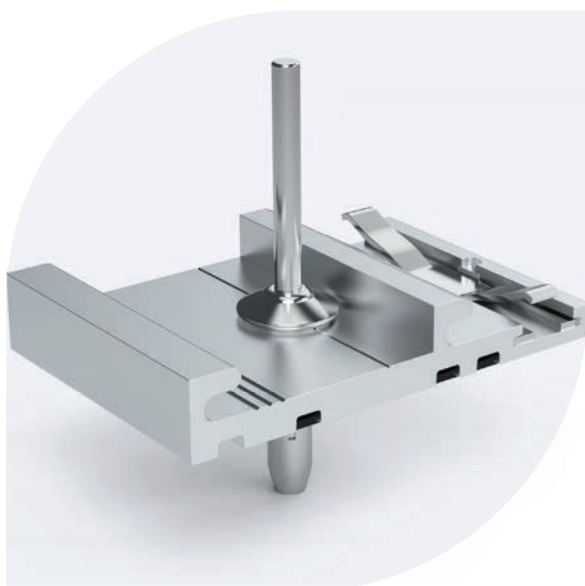


ARTICLE CODE	1AHM15DD001
MATERIAL	SS304
COLOUR	SS
WEIGHT	790 gr
APPLICATION	pitched roof, tile roof

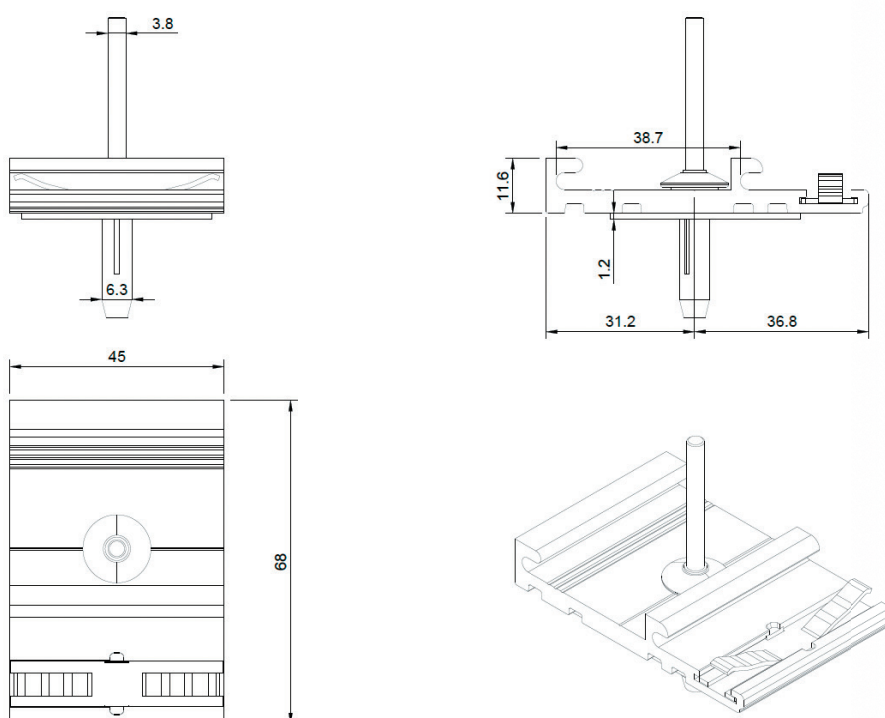


BRACKET ALLIN WITH EPDM FOR STEEL DECK LOW

DATASHEET

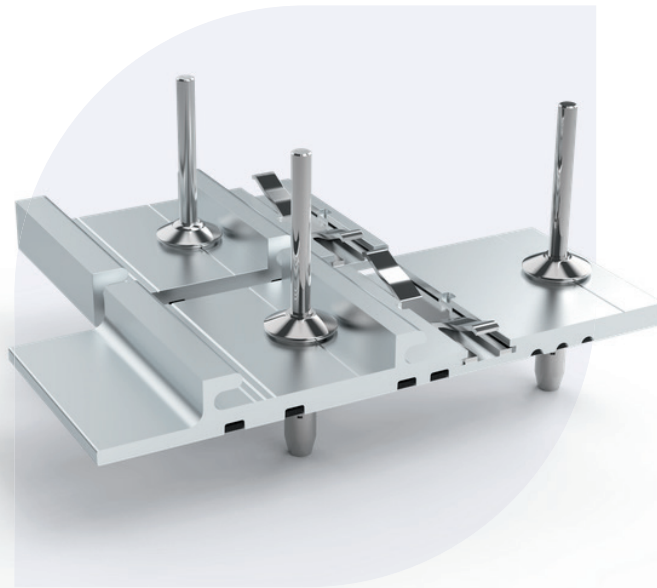


ARTICLE CODE	1AIN15DV003
MATERIAL	ALU6063 + SS304 + EPDM
COLOUR	alu
WEIGHT	50 gr
APPLICATION	pitched roof, steel deck trapezoid

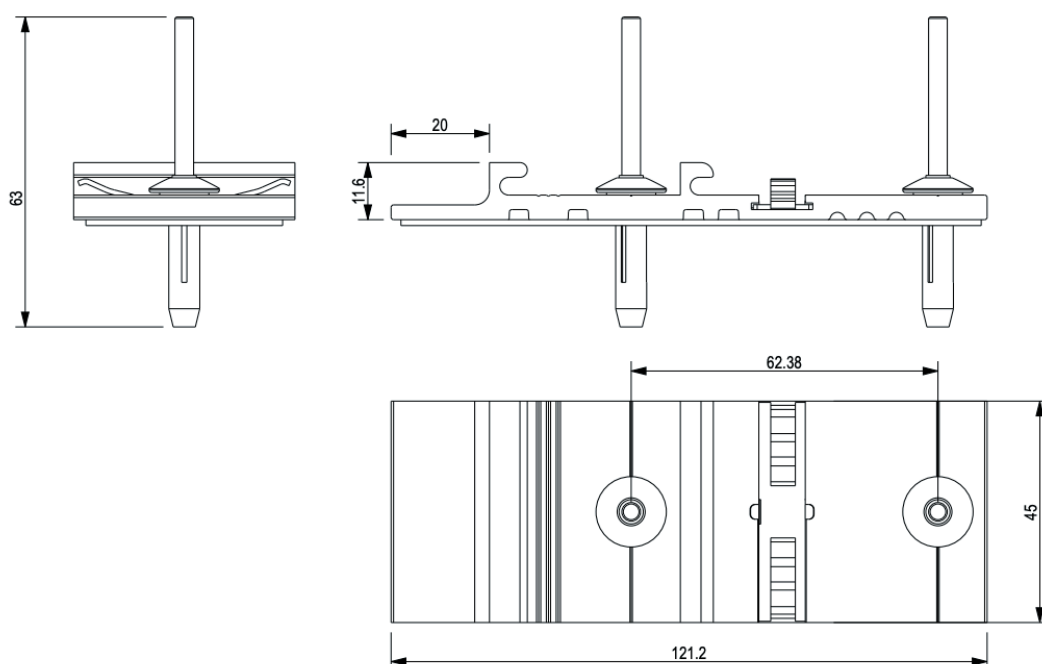


DOUBLE BRACKET ALLiN FOR STEEL DECK RAISED

DATASHEET



ARTICLE CODE	1AIN15DV005
MATERIAL	ALU6063 + SS304 + EPDM
COLOUR	alu
WEIGHT	85 gr
APPLICATION	pitched roof, steel deck trapezoid raised profile

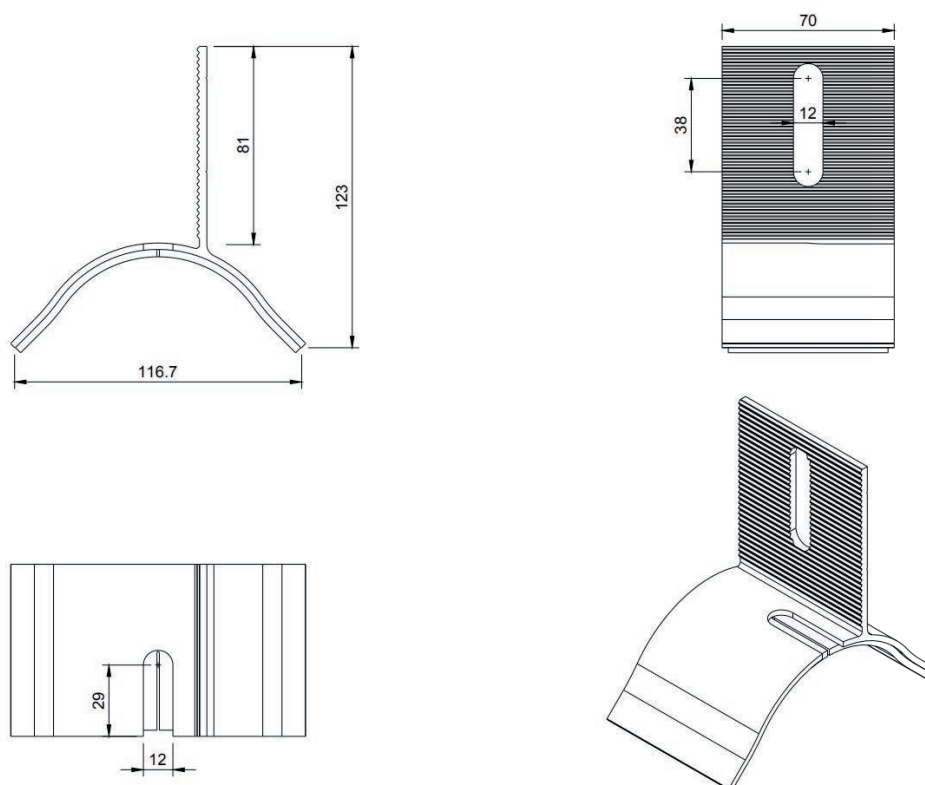


HOOK ALLiN CORRUGATED SHEET

DATASHEET



ARTICLE CODE	1AIN15DV007
MATERIAL	ALU6063 + EPDM
COLOUR	alu
WEIGHT	130 gr
APPLICATION	pitched roof, corrugated roof

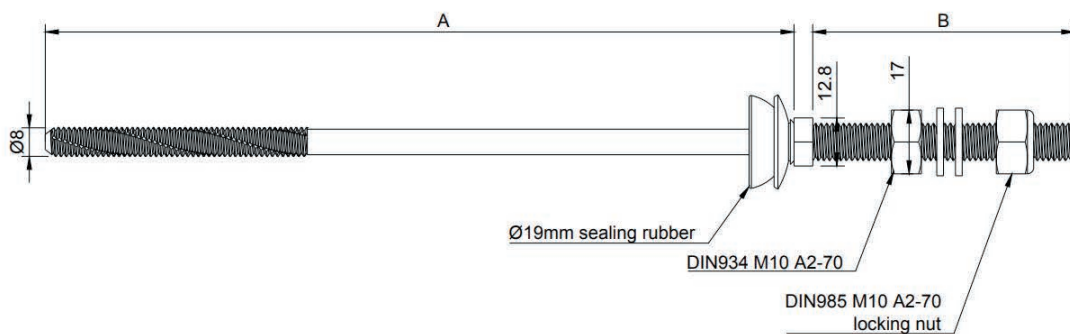


HANGER BOLT FOR METAL CONSTRUCTION

DATASHEET



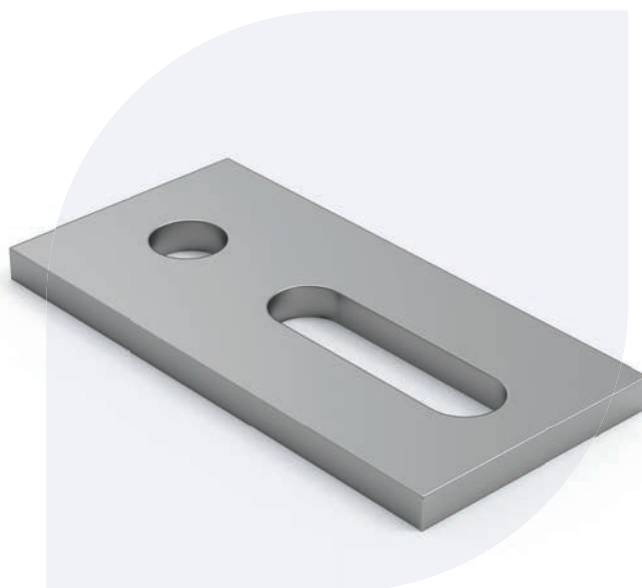
ARTICLE CODE	1AHM15SS026 (8x200/70)
MATERIAL	SS304
COLOUR	SS
WEIGHT	120 gr
APPLICATION	pitched roof, corrugated roof, steel beams



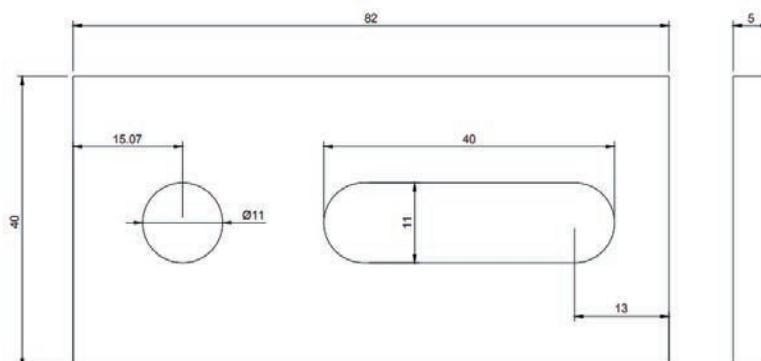
		A (in mm)	B (in mm)
hanger bolt 8,00x200/50	1AHM15SS001	200	50
hanger bolt 8,00x200/70	1AHM15SS026	200	70
hanger bolt 8,00x100/50	1AHM15SS011	100	50
hanger bolt 8,00x150/70	1AHM15SS002	150	70

MOUNTING PLATE 110X40X5MM

DATASHEET



ARTICLE CODE	1AHMACMP001
MATERIAL	SS304
COLOUR	SS
WEIGHT	140 gr
APPLICATION	pitched roof, corrugated roof, hanger bolt

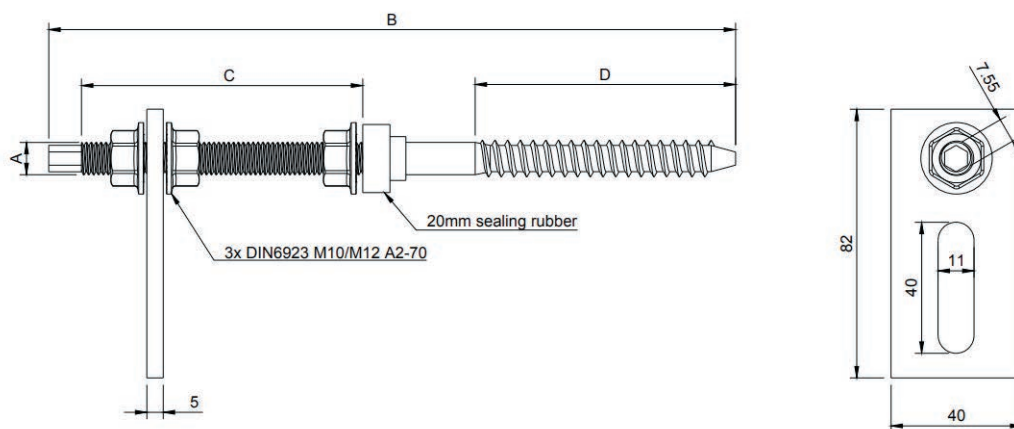


HANGER SCREW WITH MOUNTING PLATE

DATASHEET



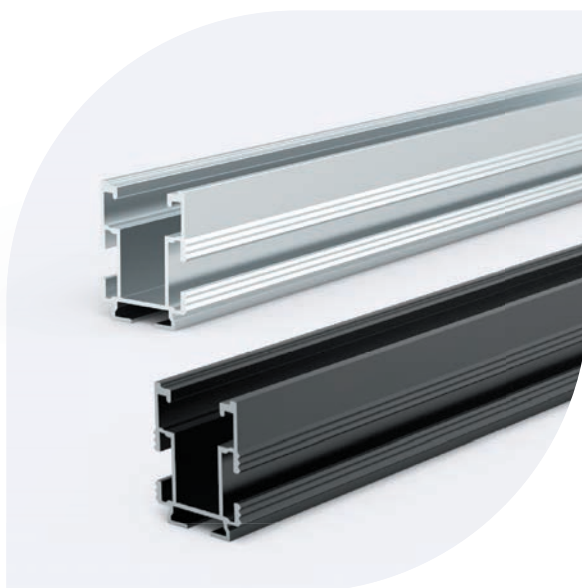
ARTICLE CODE	1AHM15SS004 (M10x200)
MATERIAL	SS304
COLOUR	SS
WEIGHT	220 gr
APPLICATION	pitched roof, corrugated roof



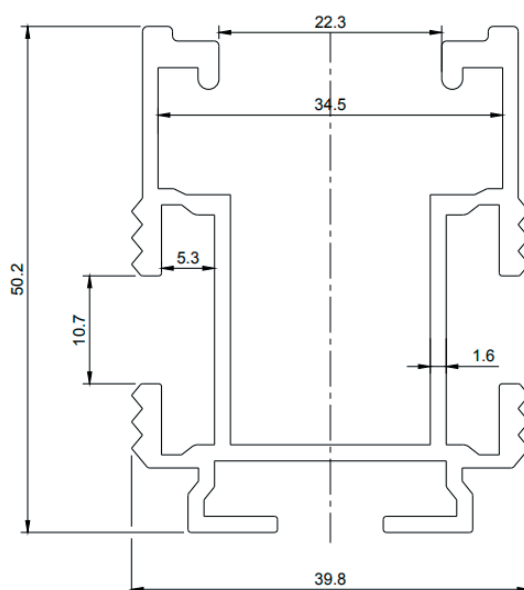
		A (in mm)	B (in mm)	C (in mm)	D (in mm)	kg
hanger screw M10x200	1AHM15SS004	10	200	67	85	0,220
hanger screw M10x250	1AHM15SS005	10	250	67	85	0,250
hanger screw M10x300	1AHM15SS007	10	300	67	150	0,275
hanger screw M12x300	1AHM15SS009	12	300	100	150	0,285
hanger screw M12x400	1AHM15SS010	12	400	100	220	0,470

BOTTOM PROFILE ALLIN

DATASHEET



ARTICLE CODE	1AIN43AL001 (6,20m alu) 1AIN43ZW008 (6,20m black)
MATERIAL	ALU6063T5
COLOUR	alu / black
WEIGHT	1014 gr / m
APPLICATION	pitched roof, tile roof, corrugated roof

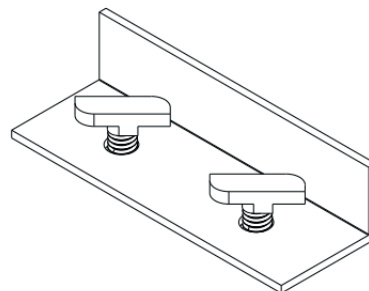
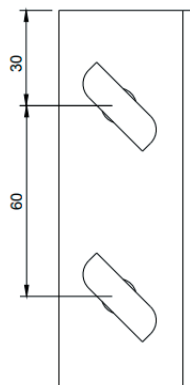
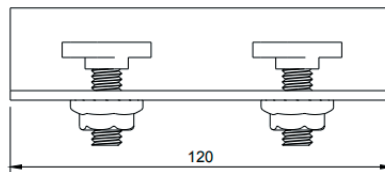
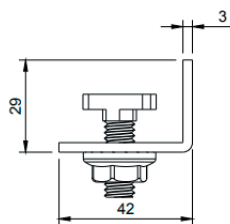


PROFILE CONNECTOR BOTTOM PROFILE ALLiN SIDWAYS

DATASHEET



ARTICLE CODE	1AIN43PV003 (2x hammerhead bolt M10x20, knurled nut M10)
MATERIAL	ALU6063 + SSA2
COLOUR	alu
WEIGHT	120 gr
APPLICATION	pitched roof, tile roof, corrugated roof

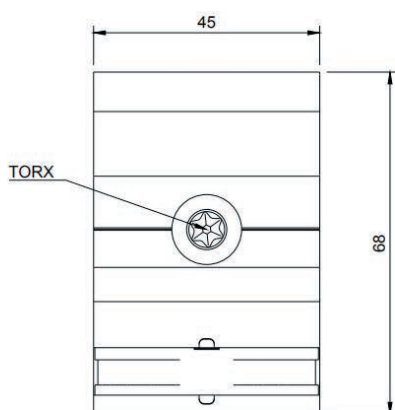
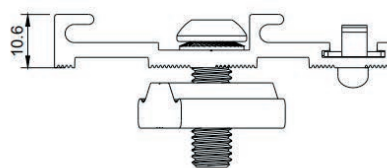
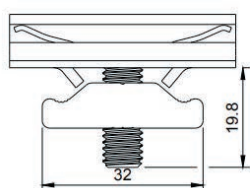


BRACKET ALLIN WITH BOLT AND NUT

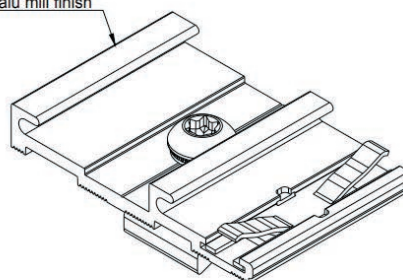
DATASHEET



ARTICLE CODE	1AIN15DV004
MATERIAL	ALU6063T5
COLOUR	alu
WEIGHT	60 gr
APPLICATION	pitched roof, tile roof, corrugated roof



ALU6063T5
color: natural alu mill finish



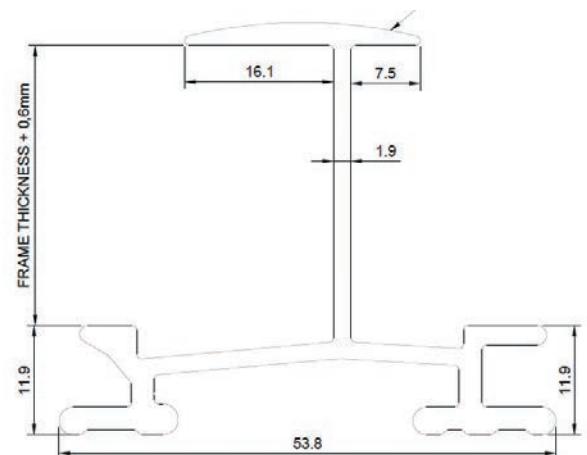
PROFILE ALLiN

DATASHEET



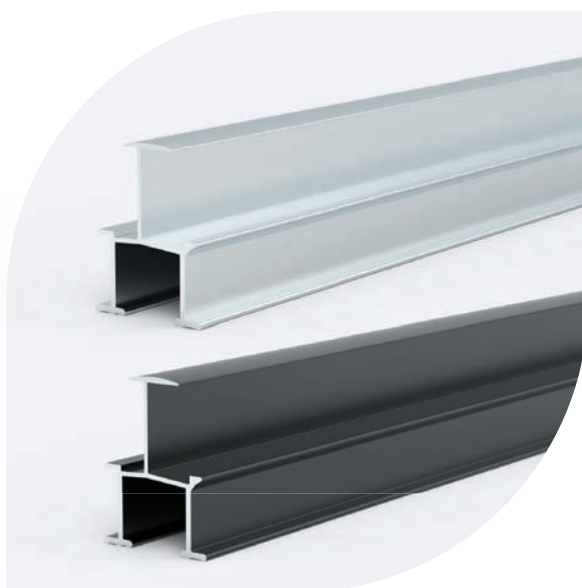
ARTICLE CODE	1AIN43AL017 (30mm 6,20m alu) 1AINZW011 (30mm 6,20m black)
MATERIAL	ALU6063T5
COLOUR	alu / black
WEIGHT	1014,50 gr / m
APPLICATION	pitched roof, tile roof, steel deck trapezoid, corrugated roof

Article code	Article description
1AIN43AL017	Profile ALLiN 30mm 6,20m alu
1AIN43ZW011	Profile ALLiN 30mm 6,20m black
1AIN43AL005	Profile ALLiN 35mm 6,20m alu
1AIN43ZW005	Profile ALLiN 35mm 6,20m black
1AIN43AL003	Profile ALLiN 30mm 6,20m alu
1AIN43ZW004	Profile ALLiN 38mm 6,20m black
1AIN43AL002	Profile ALLiN 40mm 6,20m alu
1AIN43ZW002	Profile ALLiN 40mm 6,20m black



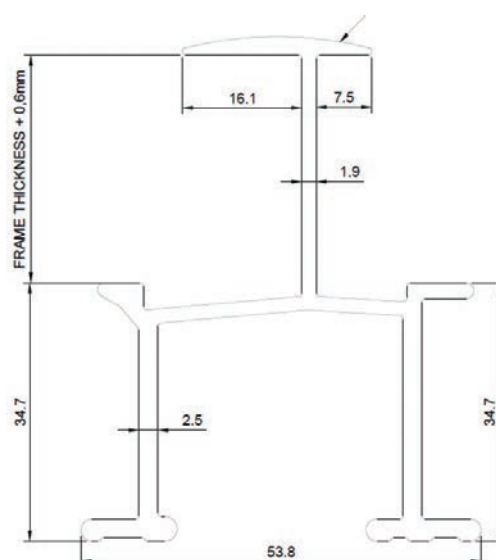
PROFILE ALLiN RAISED

DATASHEET



ARTICLE CODE	1AIN43AL018 1AIN43ZW012
MATERIAL	ALU6063T5
COLOUR	alu / black
WEIGHT	1229 gr / m
APPLICATION	pitched roof, steel deck trapezoid raised

Article code	Article description
1AIN43AL018	Profile ALLiN 30mm raised 6,20m alu
1AIN43ZW012	Profile ALLiN 30mm raised 6,20m black
1AIN43AL007	Profile ALLiN 35mm raised 6,20m alu
1AIN43ZW007	Profile ALLiN 35mm raised 6,20m black
1AIN43AL016	Profile ALLiN 40mm raised 6,20m alu
1AIN43ZW010	Profile ALLiN 40mm raised 6,20m black

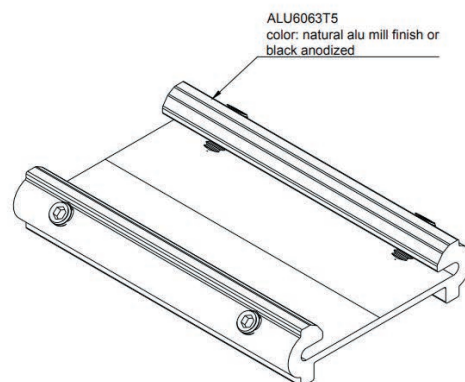
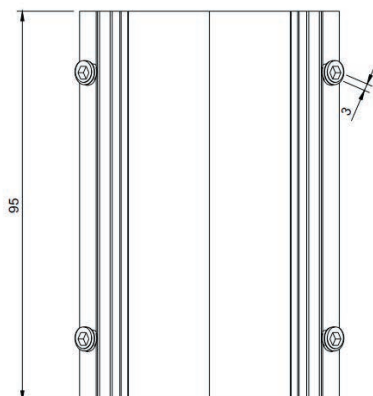
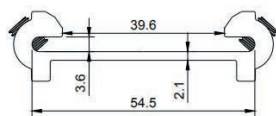


PROFILE CONNECTOR ALLiN

DATASHEET

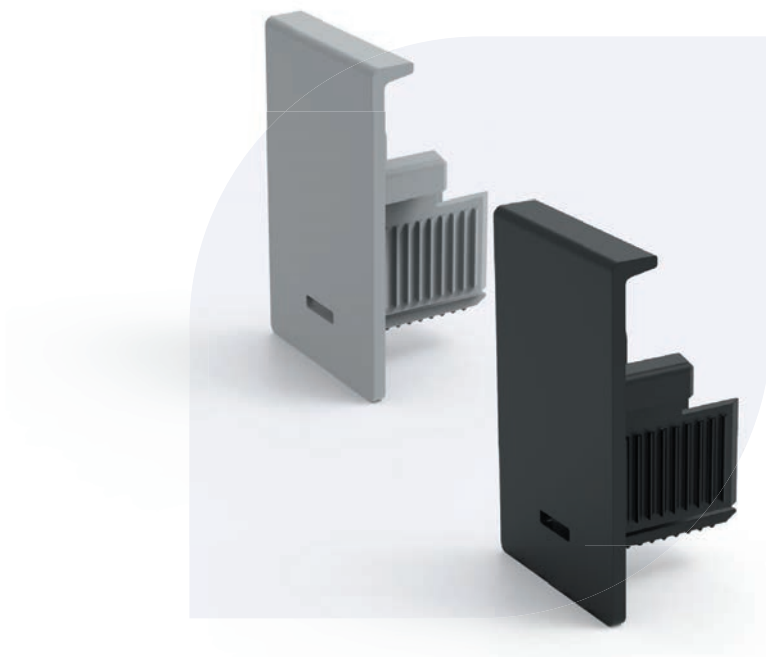


ARTICLE CODE	1AIN43AC003 (2x M6 bolt alu) 1AIN43PV004 (2x M6 bolt black)
MATERIAL	ALU6063T5
COLOUR	alu / black
WEIGHT	80 gr
APPLICATION	pitched roof, tile roof, steel deck trapezoid, steel deck trapezoid raised, corrugated roof

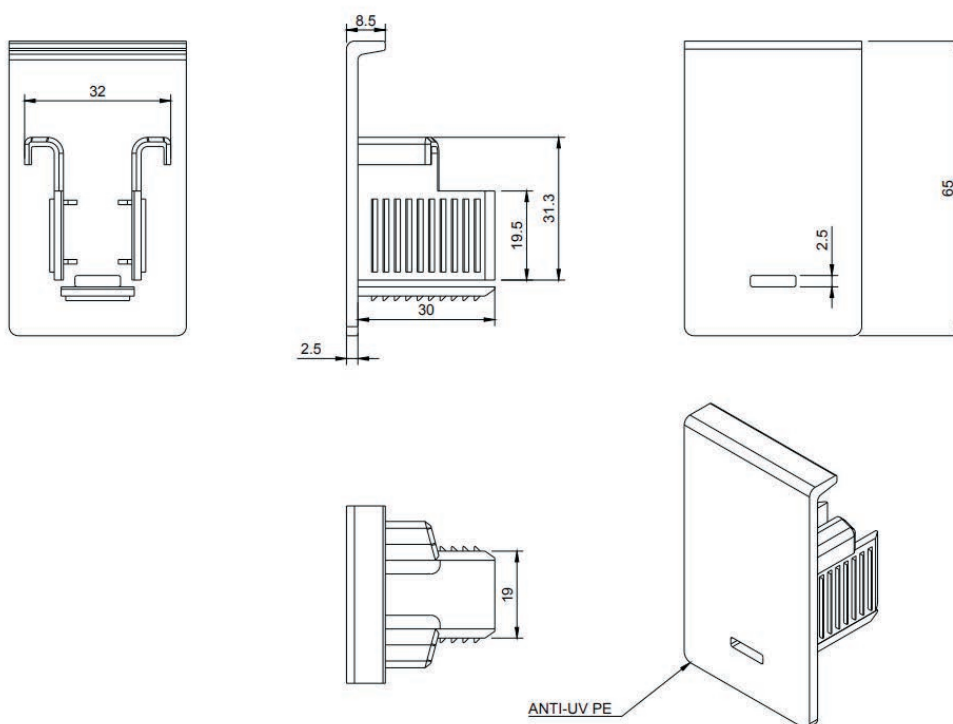


STOPPER BOTTOM PROFILE ALLIN

DATASHEET



ARTICLE CODE	1AIN43AC005 (grey) 1AIN43AC004 (black)
MATERIAL	anti-UV PE
COLOUR	alu / black
WEIGHT	10 gr
APPLICATION	pitched roof, tile roof, corrugated roof

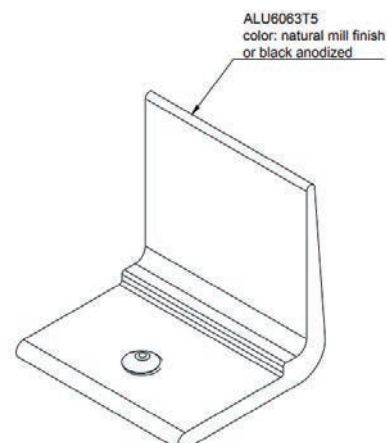
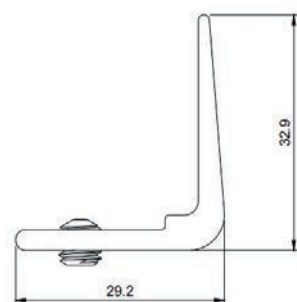
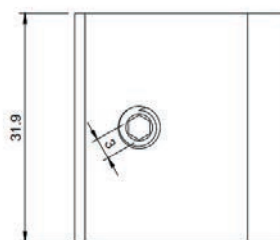


ENDPIECE PROFILE ALLiN LOW WITH M6

DATASHEET



ARTICLE CODE	1AIN43AC001 (grey) 1AIN43AC002 (black)
MATERIAL	ALU6063T5
COLOUR	alu / black
WEIGHT	20 gr
APPLICATION	pitched roof, tile roof, steel deck trapezoid, corrugated roof

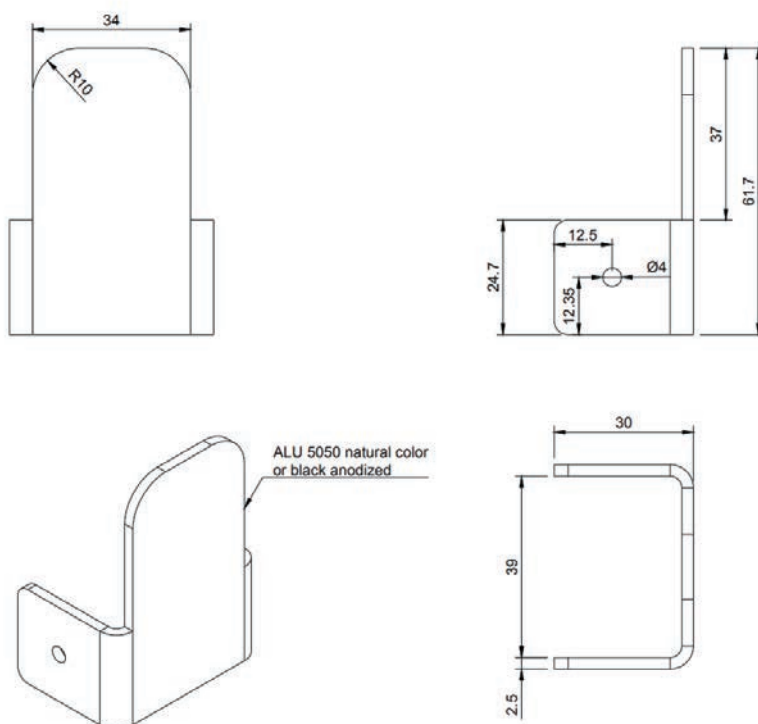


ENDPIECE ALLiN RAISED PROFILE

DATASHEET



ARTICLE CODE	1AIN43AC007 (grey) 1AIN43AC006 (black)
MATERIAL	ALU5050
COLOUR	alu / black
WEIGHT	24 gr
APPLICATION	pitched roof, steel deck trapezoid raised

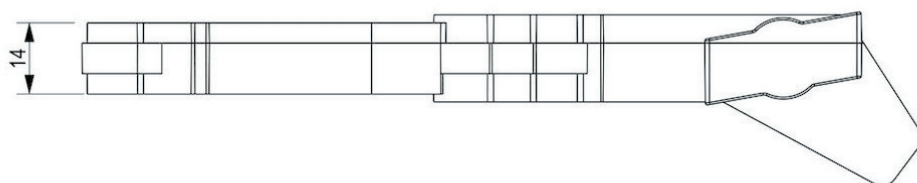
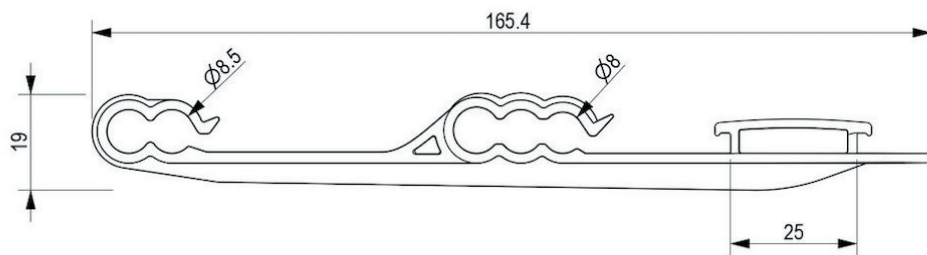


CABLE CLIP ALLiN

DATASHEET



ARTICLE CODE	1AIN99AC001
MATERIAL	P166
COLOUR	black
WEIGHT	20 gr
APPLICATION	pitched roof, tile roof, steel deck trapezoid, steel deck trapezoid raised, corrugated roof



HAMMERHEAD BOLT M8X53

KNURLED NUT M8

DATASHEET

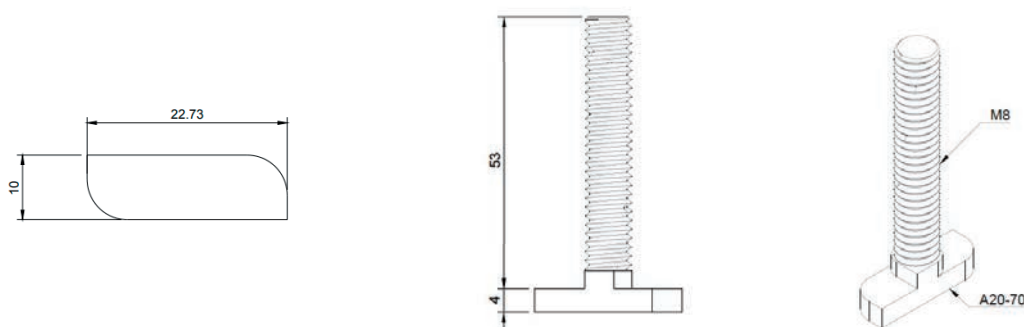


HAMMERHEAD BOLT M8X53

ARTICLE CODE	1AHM10BT006
MATERIAL	SSA2
COLOUR	SS
WEIGHT	21 gr
APPLICATION	pitched roof, tile roof

KNURLED NUT M8

ARTICLE CODE	1AHM10MR003
MATERIAL	SSA2
COLOUR	SS
WEIGHT	9 gr
APPLICATION	hammerhead bolt M8



HAMMERHEAD BOLT M10X30

KNURLED NUT M10

DATASHEET

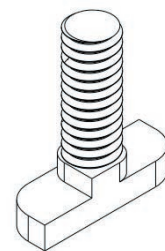
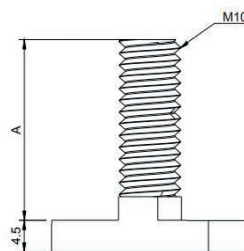
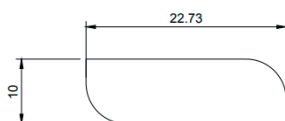


HAMMERHEAD BOLT M10X30

ARTICLE CODE	1AHM10BT003
MATERIAL	SSA2
COLOUR	SS
WEIGHT	20 gr
APPLICATION	pitched roof, tile roof

KNURLED NUT M10

ARTICLE CODE	1AHM10MR001
MATERIAL	SSA2
COLOUR	SS
WEIGHT	11 gr
APPLICATION	hammerhead bolt M10

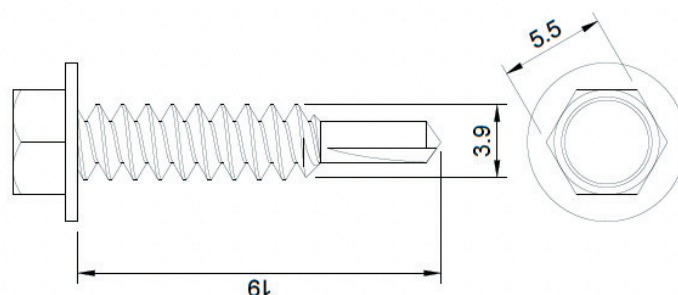


SELF-TAPPING SCREWS 3,9X19 HEX HEAD

DATASHEET



ARTICLE CODE	1AIN99AC003
MATERIAL	SSA2
COLOUR	SS
WEIGHT	2 gr
APPLICATION	endpiece steel deck trapezoid raised

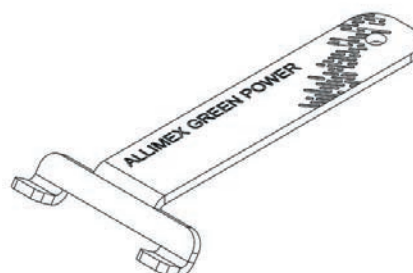
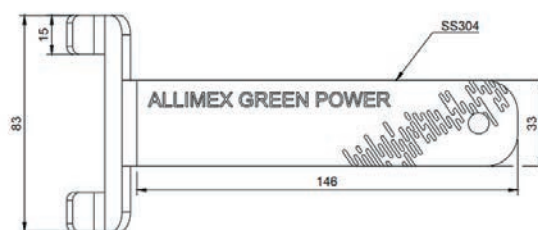
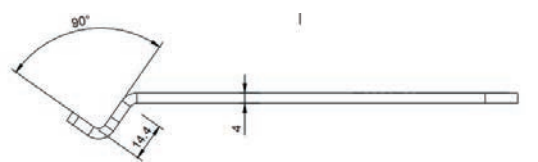


RELEASE TOOL

DATASHEET



ARTICLE CODE	1AIN99AC002
MATERIAL	SS304
COLOUR	SS
WEIGHT	190 gr
APPLICATION	pitched roof, tile roof, steel deck trapezoid, steel deck trapezoid raised



ALLiDRAW

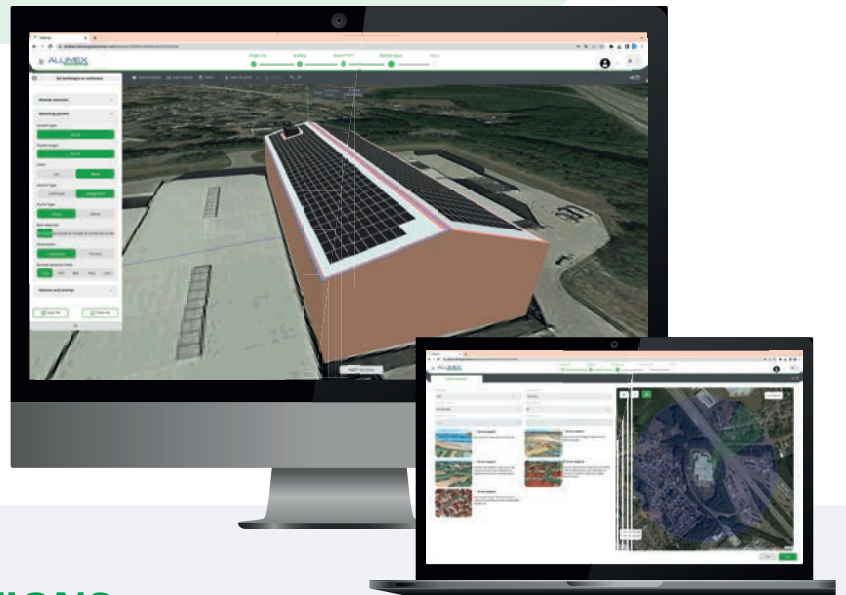
CALCULATOR

ALLiDRAW offers dynamic static load verification for pitched roofs! This unique technology is based on in-depth mechanical research and wind tunnel testing.

With our calculator for solar installers, you can quickly and easily calculate your project.

1. You enter all project information, such as a project name and an address.
2. In the design field, you can easily draw your roof and building. First you draw the surface area of the roof. Then you choose the roof type, roof covering and other parameters. You can also draw any obstacles on the roof.
3. Enter all parameters for the environment of the project, such as the wind zone.
4. Choose the desired solar panels and the specifications of the mounting system. You can easily have the panel field filled in automatically, or do it manually.

You immediately receive a complete report of the entire project, including safety margins, permitted forces and a detailed parts list.



ADVANCED CALCULATIONS

- In ALLiDRAW, you process an unlimited number of projects in 1 calculator.
- You manage multiple roofs and roof types within 1 project.
- You draw directly on location in Google Maps.
- All calculations are thoroughly tested according to the latest safety standards. You receive a complete overview of all safety margins and permitted forces.
- Go for automatic engineering of mounting material. The calculator automatically calculates the number of brackets for inlay and solar panels.
- You save on material and labour on site by increasing the bracket spacing.
- Thanks to the integration of static wind and snow loads, you can work out a project at any location.
- The drawn mounting products can be seen in detail.
- ALLiDRAW is BIM-ready and can read and write 3D models in the future.

*The drawing and calculations in the ALLiDRAW calculator are indicative.
If you have any questions, please contact support@alldraw.com.*

ALL-IN SUPPLIER
FOR GREEN ENERGY SOLUTIONS

info@allimex-greenpower.eu
www.allimexgreenpower.com

Headquarters

Transportstraat 1B, 3980 Tessenderlo, Belgium
+32 (0) 11 72 96 50
BE 0535 679 035

Dutch branch

Teugseweg 9, 7418 AM Deventer, the Netherlands
+31 (0) 85 732 69 46
NL 860425289B01