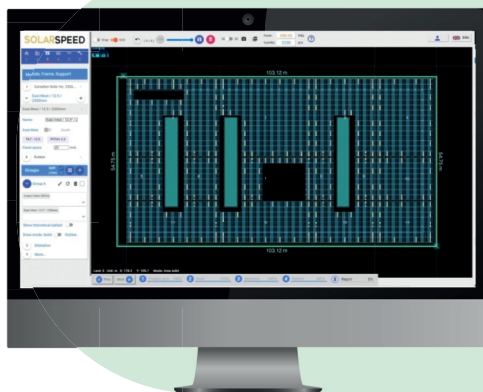


SOLARSPEED

MM MOUNTING
MATERIALS

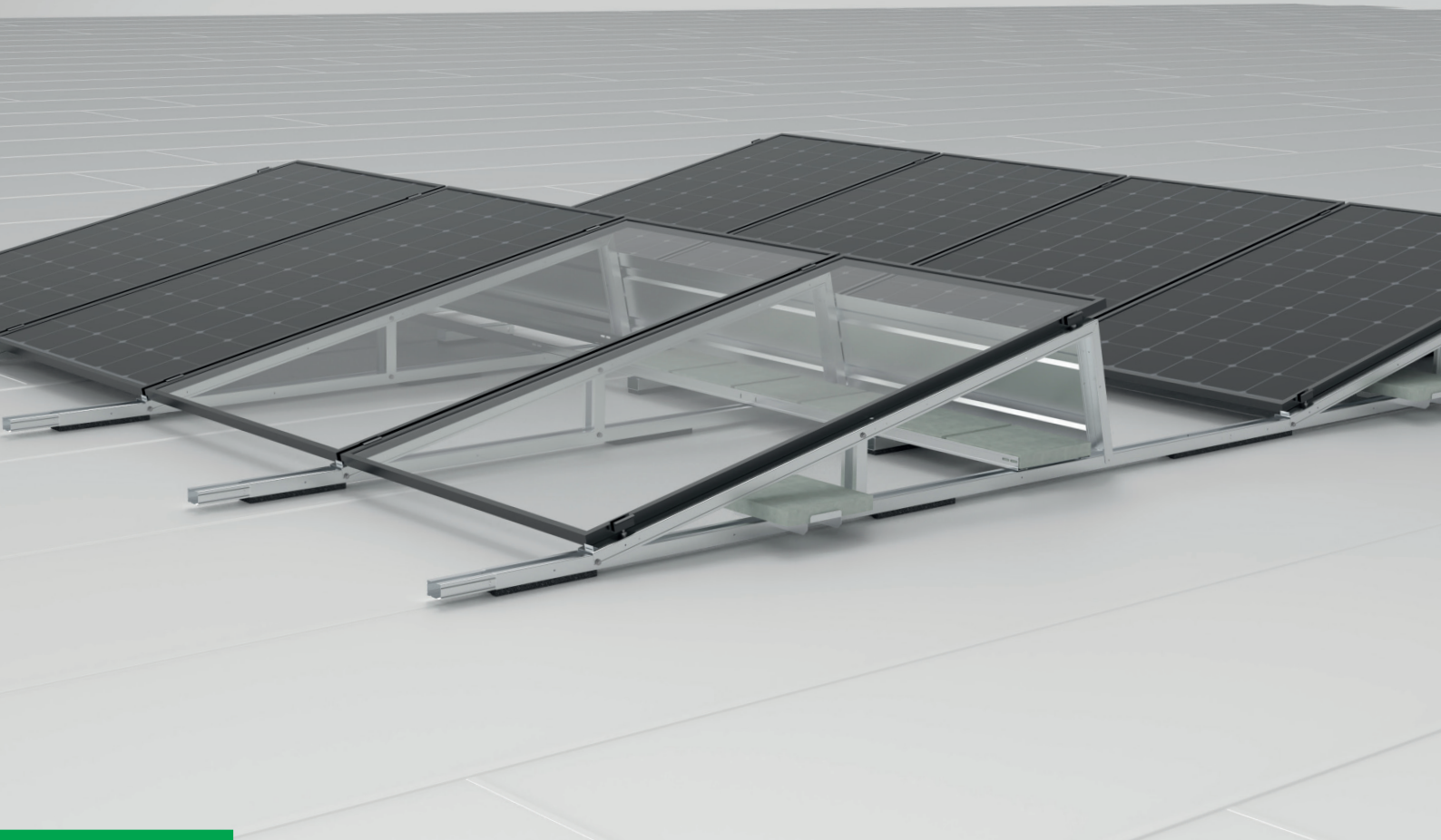
The right mounting system for every roof.



SOLARSPEED CALCULATOR

With this free online software, you easily work out your projects. Sketch the roof and PV installation, and the software automatically calculates the ballast plan. All information, including parts list and placement, can be found in a clear report.

solarspeed.avasco.be



SOLARSPEED

MOUNTING SYSTEM FOR FLAT ROOFS

SolarSpeed mounting frames for flat roofs are designed with a focus on high usability and ease of installation. SolarSpeed is the ideal mounting system for large and medium-sized roof surfaces.



QUICK & SIMPLE

You slide the basic units together quickly and easily. Thanks to the patented click system, the triangles are also fixed immediately. So you save even more time on the roof.



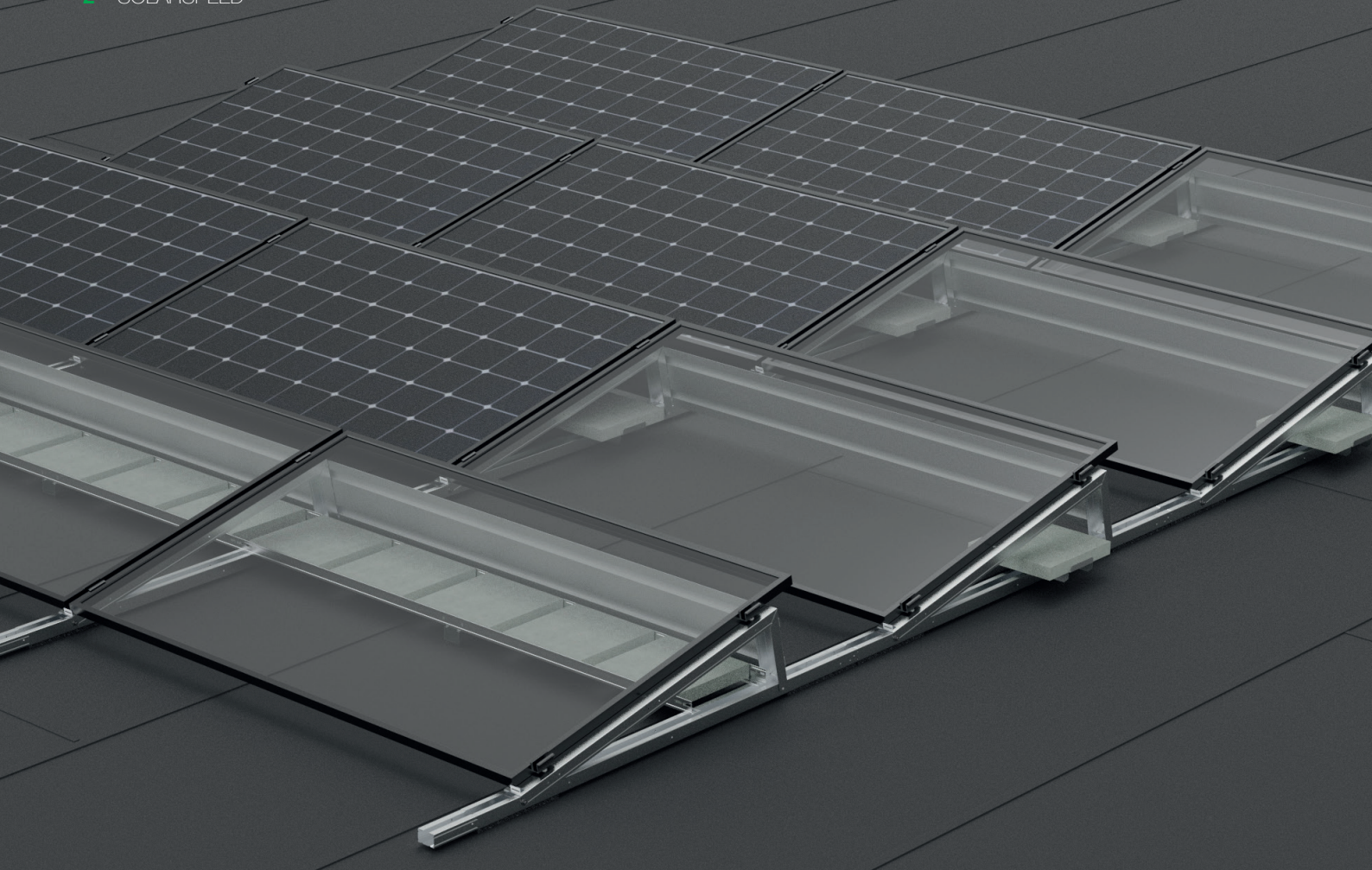
SUSTAINABLE

SolarSpeed is made of zinc-magnesium steel with self-healing properties. These properties make the system highly corrosion resistant and durable over the long term.

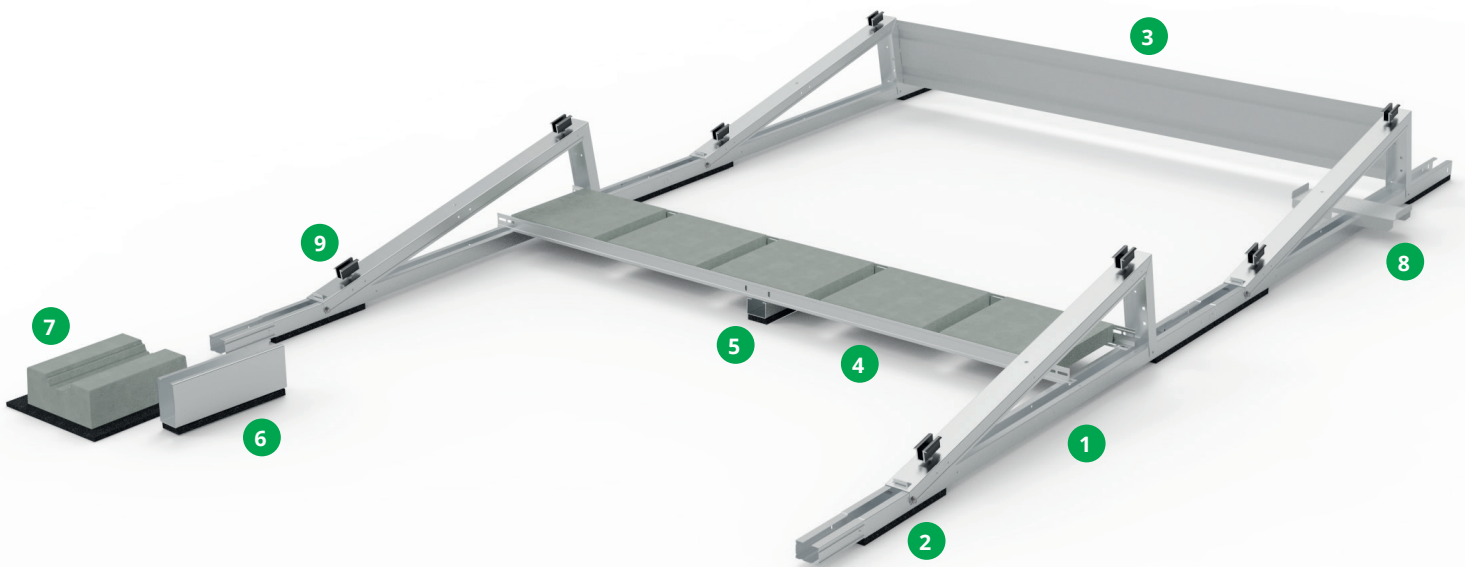


SECURE

The mounting frames are designed according to the latest standards and guidelines. The mounting system is extensively tested in wind tunnels and the results are incorporated into the calculator.



SOLARSPEED NORTH-SOUTH LANDSCAPE



COMPONENTS

	ARTICLE CODE	ARTICLE DESCRIPTION	DATASHEET
1	1SSP19NZ020	SolarSpeed 3.0 North-South landscape 10° pitch 1500mm + rubber + tubtara	p. 14
	1SSP19NZ021	SolarSpeed 3.0 North-South landscape 10° pitch 1500mm + rubber + alu + tubtara	
	1SSP19NZ023	SolarSpeed 3.0 North-South landscape 12,5° pitch 1600mm + rubber + tubtara	
	1SSP19NZ024	SolarSpeed 3.0 North-South landscape 12,5° pitch 1600mm + rubber + alu +tubtara	
2	1SSP99AC038	SolarSpeed end rubber	p. 17
	1SSP99AC037	SolarSpeed end rubber with alu	
3	1SSP99AC034	SolarSpeed pressure nail	p. 17
	1SSP99AC086	Solarspeed 3.0 backplate landscape 10°-12,5°-15° 1805mm	
	1SSP99AC077	Solarspeed L-profile 1731/1810 - 1805mm	
5	1SSP99AC030	SolarSpeed connector L-ballast 40mm with rubber	p. 20
	1SSP99AC031	SolarSpeed connector L-ballast 40mm with rubber + alu	
6	1SSP99AC028	SolarSpeed connector L-ballast 100mm with rubber	p. 20
	1SSP99AC029	SolarSpeed connector L-ballast 100mm with rubber + alu	
7	1SSP99AC040	SolarSpeed concrete base + plugs	p. 22
	1SSP99AC035	SolarSpeed rubber 325x325x10mm	
8	1SSP99AC036	SolarSpeed rubber 325x325x10mm with alu	p. 21
	1SSP99AC001	SolarSpeed porte-ballast	

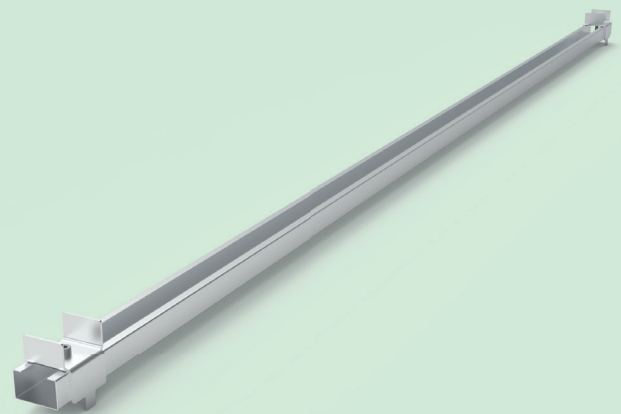
COMPONENTS

	1SSP99AC076	SolarSpeed 3.0 side panel North-South 10° landscape	p.23
	1SSP99AC063	SolarSpeed 3.0 side panel North-South 12,5° landscape	
	1SSP99AC039	SolarSpeed geotex	p. 26
	1AHM32SR085	Middle clamp basic length 60mm alu	p. 27
	1AHM32SR086	Middle clamp basic length 60mm black	
	1AHM32SR069	End clamp 30mm length 60mm alu	p. 28
	1AHM32SR070	End clamp 30mm length 60mm black	
	1AHM10BT015	Allen bolt M8x20 (<i>panel size - 10mm</i>)	p. 29
	1AHM46PL001	Plate screw 6,5x19mm	p. 30

TRIANGLES ALIGNMENT

To install the solar panels, you need to align the triangles of the mounting system straight. This is done with the handy calibration bar.

The calibration bar is easy to adjust to the length or width of the panel. The spacer ensures that the distance between the mounting frames is always perfectly even. So you can be sure of correct and smooth mounting.



ROOFING PROTECTION

PROTECTIVE RUBBERS

Basic units come standard with protective rubbers with a thickness of 15mm. It helps prevent damage to the roof protection and allows better drainage.

Rubber without aluminium

- Suitable for bitumen and EPDM roofs.
- This type of rubber has extra grip on the roof surface.
- It requires less ballast to hold the system in place.

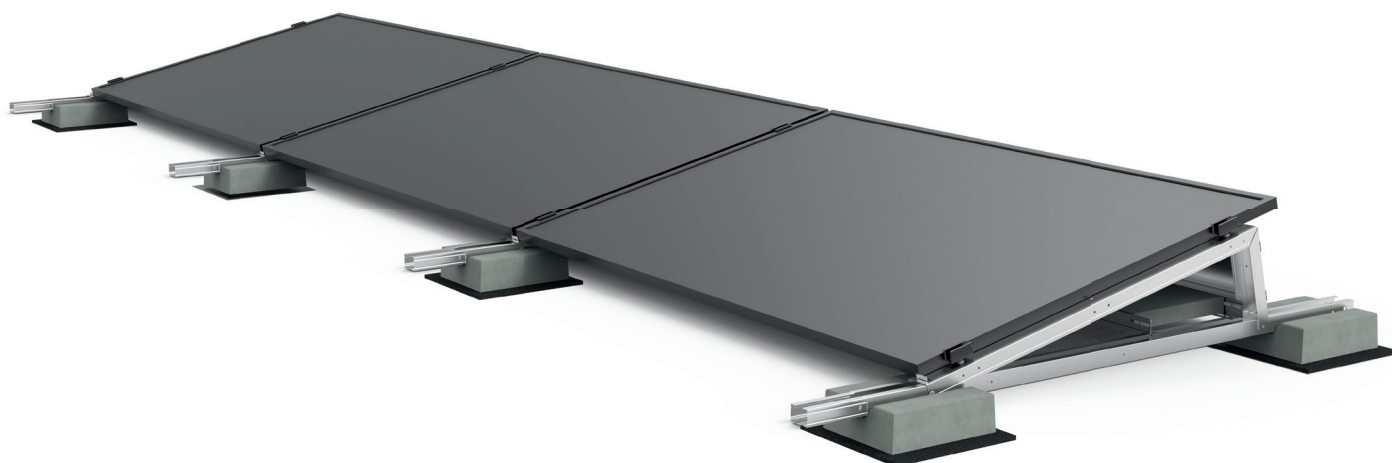
Rubber with aluminium

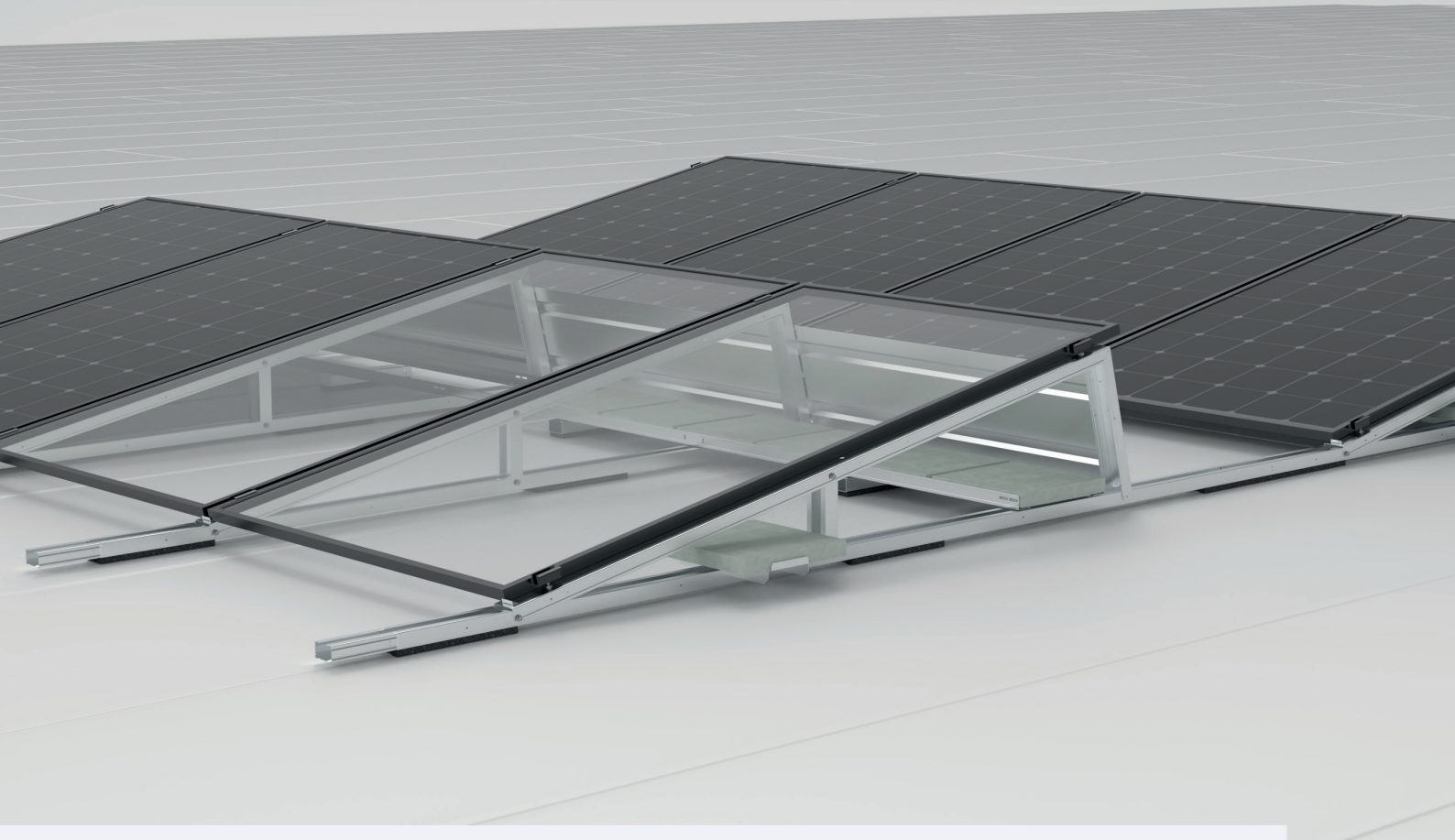
- For roofs made of PVC or TPO roofing.
- The aluminum layer provides a barrier between the rubber and the roofing material, preventing deterioration of the material.

CONCRETE BASES

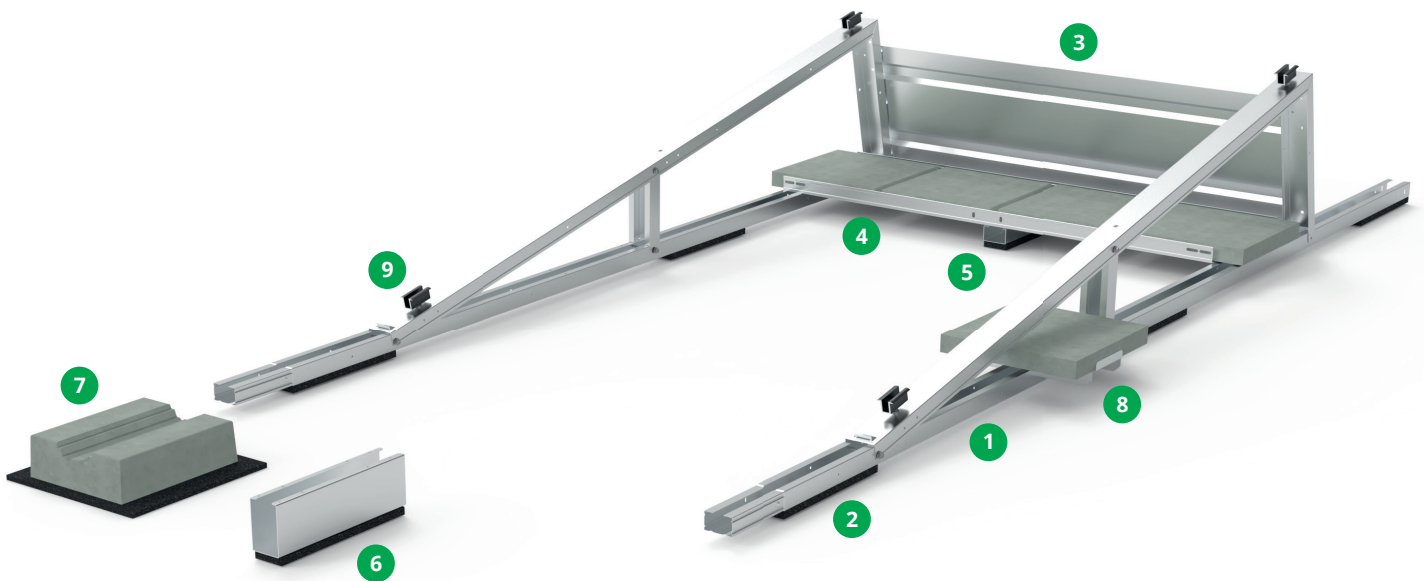
Concrete bases provide support and ballast in a flat roof installation. Concrete bases are always provided with a protective rubber at the bottom.

- Concrete bases are perfect for green roofs due to the increased space under the profiles.
- This increased space also results in better drainage.
- With concrete bases on gravel roofs, the gravel only needs to be removed in a certain number of places.
- Concrete bases are easy to install using impact plugs.
- Since the mounting frames are anchored to the concrete bases, they also count as part of the required ballast.
- The elevated connection piece is adapted to the height of the concrete bases and prevents sagging.





SOLARSPEED NORTH-SOUTH PORTRAIT



COMPONENTS

	ARTICLE CODE	ARTICLE DESCRIPTION	DATASHEET
1	1SSP19NZ061	SolarSpeed 3.0 South portrait 10° 1680mm (pan.1640/1899) pitch 2500mm + rubber + tubtara (incl. middle piece + 6x self-tapping screw 6,5x19)	p. 15
	1SSP19NZ065	SolarSpeed 3.0 South portrait 10° 1680mm (pan.1640/1899) pitch 2500mm + rubber + alu + tubtara (incl. middle piece + 6x self-tapping screw 6,5x19)	
2	1SSP99AC038	SolarSpeed end rubber	p. 17
	1SSP99AC037	SolarSpeed end rubber with alu	
3	1SSP99AC034	SolarSpeed pressure nail	p. 17
	1SSP99AC099	SolarSpeed 3.0 backplate portrait 10° 1150mm	
4	1SSP99AC081	SolarSpeed L-profile 1131/1204 - 1200mm	p. 19
	1SSP99AC030	SolarSpeed connector L-ballast 40mm with rubber	
5	1SSP99AC031	SolarSpeed connector L-ballast 40mm with rubber + alu	p. 20
	1SSP99AC028	SolarSpeed connector L-ballast 100mm met rubber	
6	1SSP99AC029	SolarSpeed connector L-ballast 100mm with rubber + alu	p. 20
	1SSP99AC040	SolarSpeed concrete base + plugs	
7	1SSP99AC035	SolarSpeed rubber 325x325x10mm	p. 22
	1SSP99AC036	SolarSpeed rubber 325x325x10mm with alu	
8	1SSP99AC001	SolarSpeed porte-ballast	p. 21
	1SSP99AC097	SolarSpeed 3.0 side panel North-South 10° portrait 1680mm	
	1SSP99AC072	SolarSpeed 3.0 side panel North-South 12,5° portrait 1680mm	p. 24

COMPONENTS

	1SSP99AC039	SolarSpeed geotex	p. 26
9 	1AHM32SR085	Middle clamp basic length 60mm alu	p. 27
	1AHM32SR086	Middle clamp basic length 60mm black	
	1AHM32SR069	End clamp 30mm length 60mm alu	p. 28
	1AHM32SR070	End clamp 30mm length 60mm black	
	1AHM10BT015	Allen bolt M8x20 (<i>panel size - 10mm</i>)	p. 29
	1AHM46PL001	Plate screw 6,5x19mm	p. 30

EASY CLICK-SYSTEM

The triangles can be easily pushed together. Thanks to the special click system, the triangles are also immediately secured. This saves even more time on the roof.

The click system allows you to attach different types of triangles to each other (E-W and S landscape). So you always get the most out of the available roof space.

With the rail opener it is possible to take the triangles back apart. Insert the rail opener into the connection between 2 triangles and turn the opener a quarter turn. The click system releases and the triangles come apart.



TYPES OF SOLARSPEED

EAST-WEST

An East-West arrangement is a perfect choice with limited roof area.

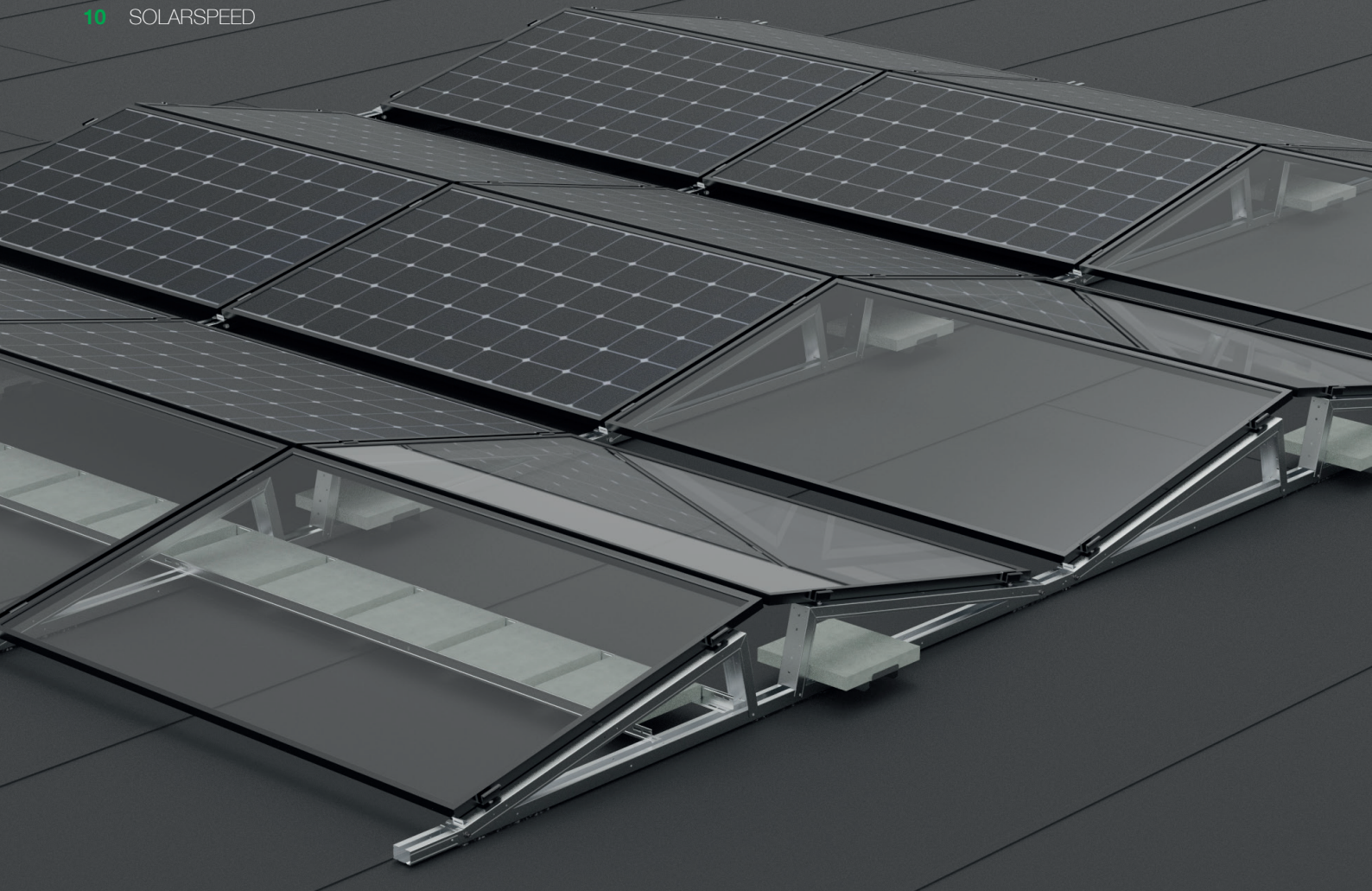
- The limited mutual shading on the panels allows more panels to be placed on the roof. This results in a higher revenue per m².
- An East-West arrangement generates more stable power generation throughout the day. The installation starts up earlier and stops later.
- Less ballast is needed. This makes the installation lighter and suitable for roofs with a less solid substructure.

SOUTH

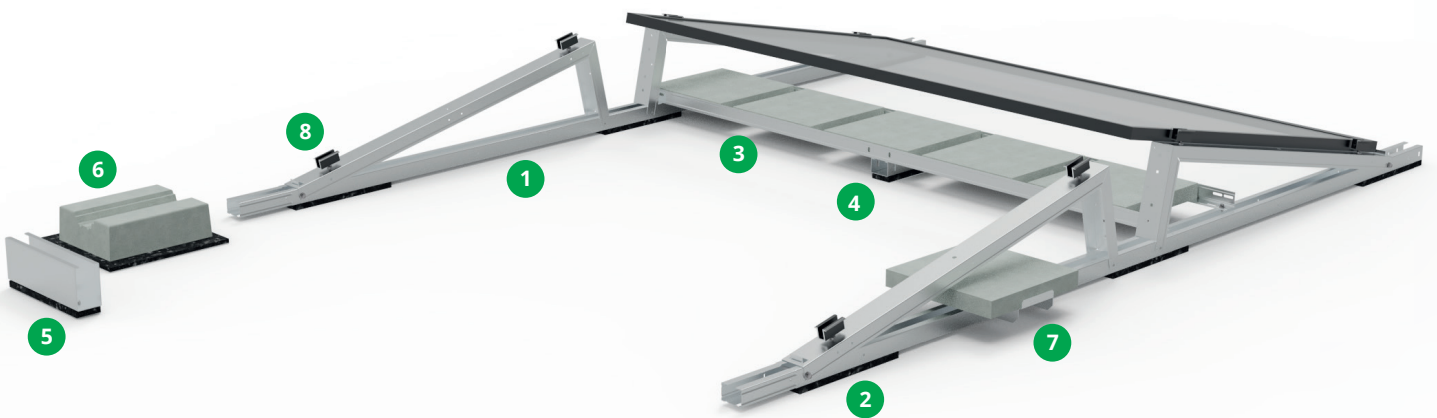
A south-facing arrangement is a common choice for panels on flat roofs.

- The panels are facing South where they capture the most radiation. This way you get the most return from your installation, especially in peaks.
- Depending on shade and location on the roof, you can choose a portrait or landscape arrangement.





SOLARSPEED EAST-WEST LANDSCAPE

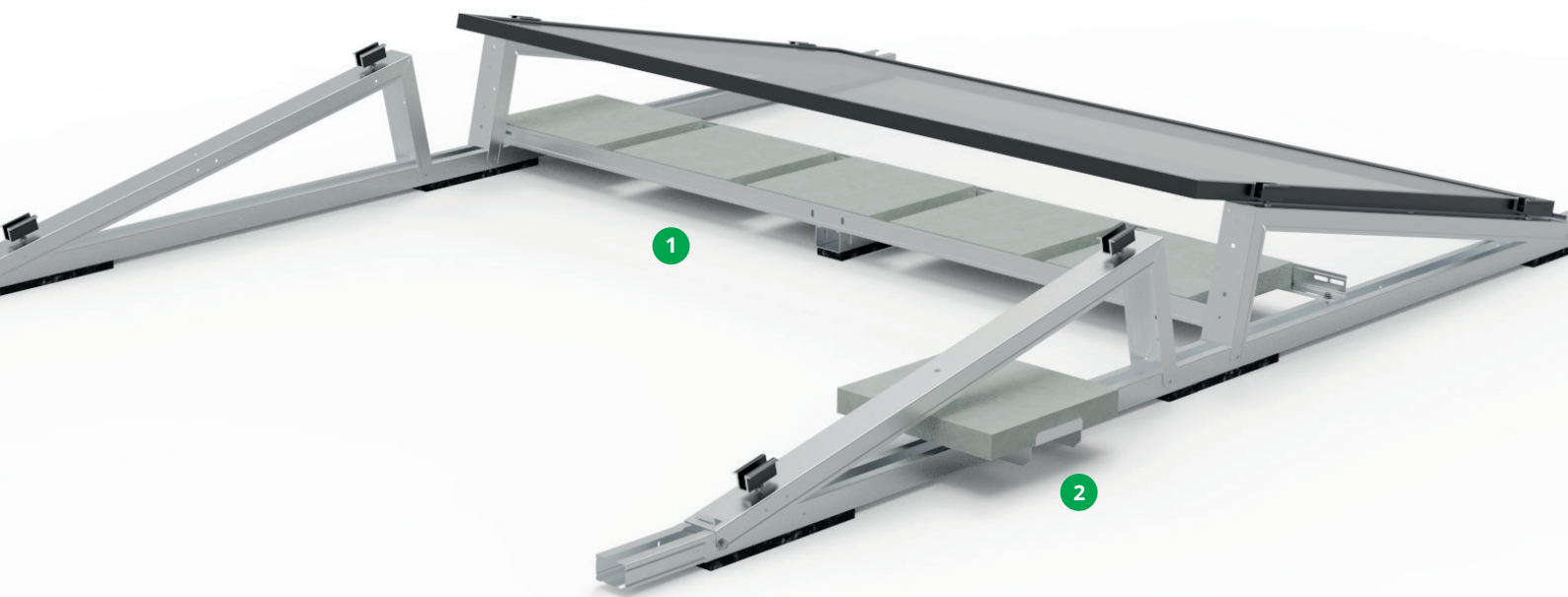


COMPONENTS

	ARTICLE CODE	ARTICLE DESCRIPTION	DATASHEET
1	1SSP19EW020	SolarSpeed 3.0 East-West landscape 12,5° 1020mm (pan.1056/1100) pitch 2350mm + rubber + tubtara	p. 16
	1SSP19EW021	SolarSpeed 3.0 East-West landscape 12,5° 1020mm (pan.1056/1100) pitch 2350mm + rubber + alu + tubtara	
	1SSP19EW017	SolarSpeed 3.0 East-West landscape 12,5° 1020mm (pan.1101/1140) pitch 2450mm + rubber + tubtara	
	1SSP19EW018	SolarSpeed 3.0 East-West Landscape 12,5° 1020mm (pan.1101/1140) pitch 2450mm + rubber + alu + tubtara	
2	1SSP99AC038	SolarSpeed end rubber	p. 17
	1SSP99AC037	SolarSpeed end rubber with alu	
	1SSP99AC034	SolarSpeed pressure nail	p. 17
3	1SSP99AC077	Solarspeed L-profile 1731/1810 - 1805mm	p. 19
4	1SSP99AC030	SolarSpeed connector L-ballast 40mm with rubber	p. 20
	1SSP99AC031	SolarSpeed connector L-ballast 40mm with rubber + alu	
5	1SSP99AC028	SolarSpeed connector L-ballast 100 mm with rubber	p. 20
	1SSP99AC029	SolarSpeed connector L-ballast 100mm with rubber + alu	
6	1SSP99AC040	SolarSpeed concrete base + plugs	p. 22
	1SSP99AC035	SolarSpeed rubber 325x325x10mm	p. 22
	1SSP99AC036	SolarSpeed rubber 325x325x10mm with alu	
7	1SSP99AC001	SolarSpeed porte-ballast	p. 21
	1SSP99AC065	SolarSpeed 3.0 side panel Oost-West 12.5° landscape 1020mm (pan.1056/1140mm)	p. 25

COMPONENTS

	1SSP99AC039	SolarSpeed geotex	p. 26
8 	1AHM32SR085 1AHM32SR086	Middle clamp basic length 60mm alu Middle clamp basic length 60mm black	p. 27
	1AHM32SR069 1AHM32SR070	End clamp 30mm length 60mm alu End clamp 30mm length 60mm black	p. 28
	1AHM10BT015	Allen bolt M8x20 (<i>panel size - 10mm</i>)	p. 29
	1AHM46PL001	Plate screw 6,5X19mm	p. 30



BALLAST PROVISION

1 SETS L-PROFILES

The sets of L-profiles are used to place ballast under the profiles and add additional reinforcement to the installation.

- On the outside of an East-West installation, ballast can only be placed by using L-profiles.
- The support in the middle of the L-profiles prevents sagging. The connectors are easily fixed with sheet metal screws.
- The connectors are adapted to the height of the L-profiles.
- The additional connection between the base units makes the entire installation even more solid.

2 BALLAST HOLDERS

Ballast holders are ideally suited for installations with limited ballast.

- Ballast holders are placed on the inside of the installation.
- You quickly and easily slide the ballast holder over the ground profile of the base unit.
- Ballast holders can also be placed behind or between panels.

Both ballast facilities work with 300x300x40mm ballast tiles.

SOLARSPEED 3.0 TRIANGLES NORTH-SOUTH LANDSCAPE

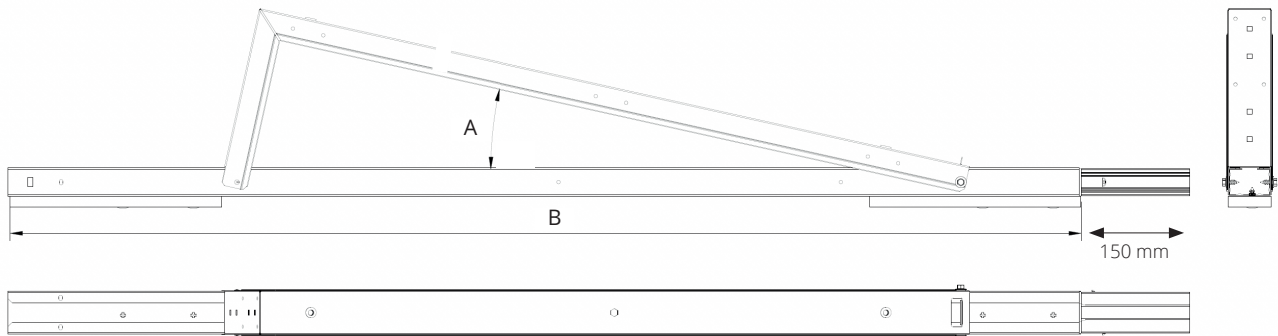
DATASHEET



MATERIAL	magnelis steel + rubber
PACKAGING	200 pcs/pallet

SOLARSPEED 3.0 NORTH-SOUTH LANDSCAPE

ARTICLE CODE	PANEL SIZE	A (degrees)	B (pitch)		WEIGHT
1SSP19NZ020	950-1310 mm	10°	1500 mm	rubber + tubtara	3750 gr
1SSP19NZ021	950-1310 mm	10°	1500 mm	rubber + alu + tubtara	3750 gr
1SSP19NZ023	950-1310 mm	12,5°	1600 mm	rubber + tubtara	3830 gr
1SSP19NZ024	950-1310 mm	12,5°	1600 mm	rubber + alu + tubtara	3830 gr



SOLARSPEED 3.0 TRIANGLES NORTH-SOUTH PORTRAIT

DATASHEET

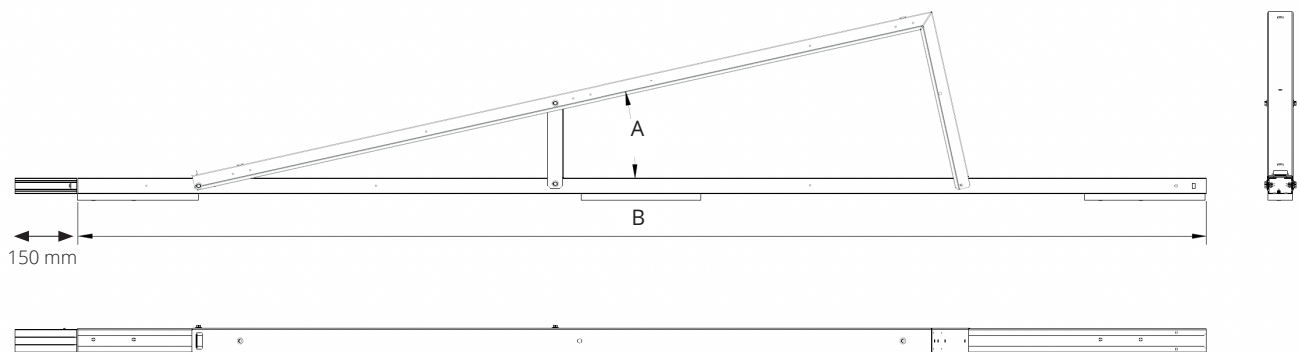


MATERIAL | magnelis steel + rubber

PACKAGING | 200 pcs/pallet

SOLARSPEED 3.0 NORTH-SOUTH PORTRAIT

ARTICLE CODE	PANEL SIZE	A (degrees)	B (pitch)		WEIGHT
1SSP19NZ061	1640/1899 mm	10°	2500 mm	rubber + tubtara	6070 gr
1SSP19NZ065	1640/1899 mm	10°	2500 mm	rubber + alu + tubtara	6070 gr



SOLARSPEED 3.0 TRIANGLES EAST-WEST LANDSCAPE

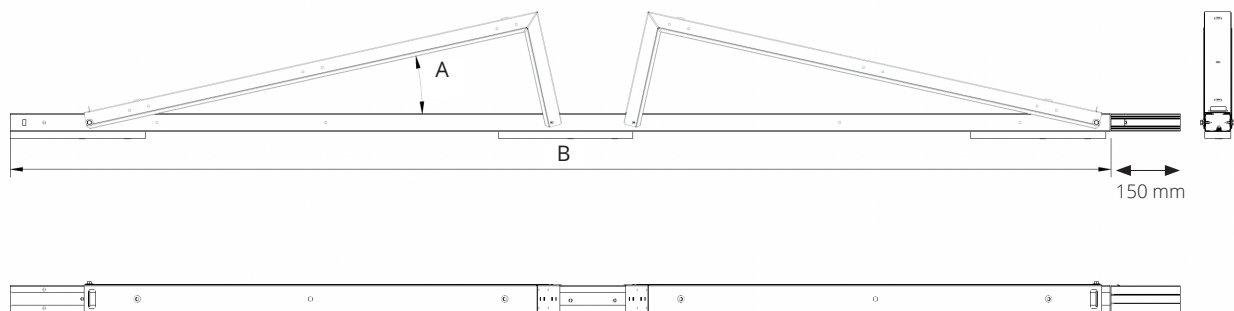
DATASHEET



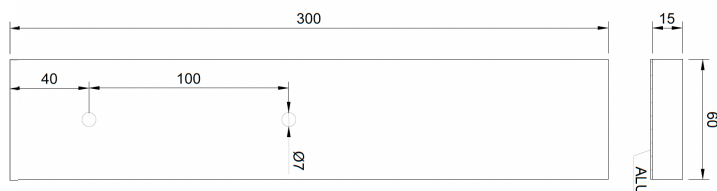
MATERIAL	magnelis steel + rubber
PACKAGING	200 pcs/pallet

SOLARSPEED 3.0 EAST-WEST LANDSCAPE

ARTICLE CODE	PANEL SIZE	A (degrees)	B (pitch)		WEIGHT
1SSP19EW020	1056/1100 mm	12,5°	2350 mm	rubber + tubtara	6280 gr
1SSP19EW021	1056/1100 mm	12,5°	2350 mm	rubber + alu + tubtara	6270 gr
1SSP19EW017	1101/1140 mm	12,5°	2450 mm	rubber + tubtara	6400 gr
1SSP19EW018	1101/1140 mm	12,5°	2450 mm	rubber + alu + tubtara	6390 gr



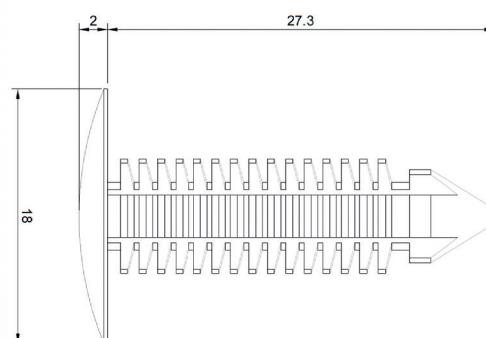
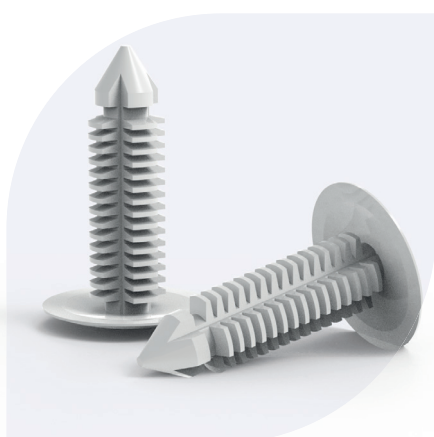
SOLARSPEED END RUBBER



ARTICLE CODE	1SSP99AC038 1SSP99AC037 (+ alu)
MATERIAL	rubber, rubber + alu
TOTALE WEIGHT	210 gr
PACKAGING	per piece, 4.320 pcs/pallet

SOLARSPEED PRESSURE NAIL

DATASHEET



ARTICLE CODE	1SSP99AC034
MATERIAL	plastic
TOTALE WEIGHT	110 gr
PACKAGING	100 pcs/bag, 600 pcs/box

SOLARSPEED BACKPLATE LANDSCAPE/PORTRAIT

DATASHEET



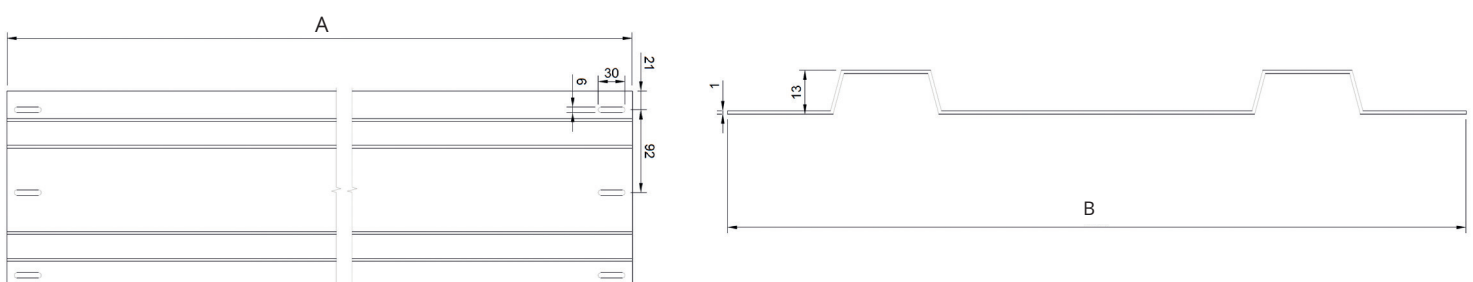
MATERIAL	magnelis steel
PACKAGING	per piece, 500 pcs/pallet

SOLARSPEED 3.0 BACKPLATE LANDSCAPE

ARTICLE CODE	DEGREES	A (length)	B (length)	WEIGHT
1SSP99AC086	10°-12,5°-15°	1805 mm	235 mm	2150 gr
1SSP99AC090	10°-12,5°-15°	1885 mm	235 mm	2240 gr
1SSP99AC091	10°-12,5°-15°	1965 mm	235 mm	2300 gr
1SSP99AC087	10°-12,5°-15°	2045 mm	235 mm	2430 gr
1SSP99AC088	10°-12,5°-15°	2125 mm	235 mm	2530 gr
1SSP99AC089	10°-12,5°-15°	2205 mm	235 mm	2630 gr
1SSP99AC100	10°-12,5°-15°	2279 mm	235 mm	2710 gr

SOLARSPEED 3.0 BACKPLATE PORTRAIT

ARTICLE CODE	DEGREES	A (length)	B (length)	WEIGHT
1SSP99AC099	10°	1150 mm	295 mm	1660 gr



SOLARSPEED SET L-PROFILES

DATASHEET


MATERIAL

magnelis steel

PACKAGING

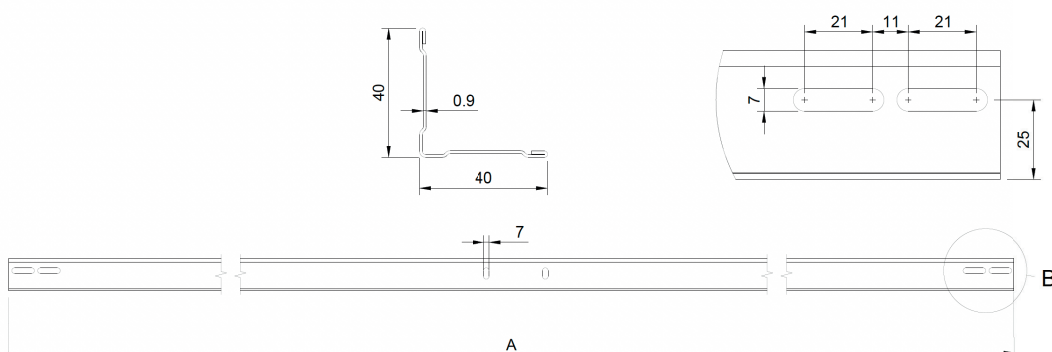
2pcs/set, 500 sets/pallet

SOLARSPEED 3.0 L-PROFILE LANDSCAPE

ARTICLE CODE	PANEL SIZE	A (length)	WEIGHT
1SSP99AC077	1731/1810 mm	1805 mm	1157 gr
1SSP99AC082	1811/1890 mm	1885 mm	1210 gr
1SSP99AC083	1891/1970 mm	1965 mm	1260 gr
1SSP99AC084	1971/2050 mm	2045 mm	1310 gr
1SSP99AC079	2051/2130 mm	2125 mm	1360 gr
1SSP99AC080	2131/2210 mm	2205 mm	1410 gr
1SSP99AC101	2211/2290 mm	2285 mm	1465 gr

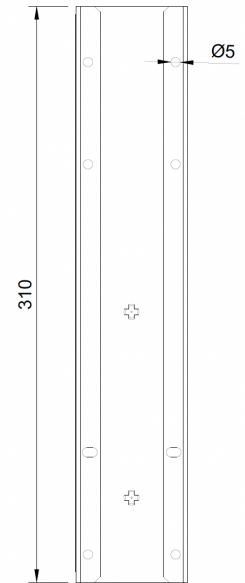
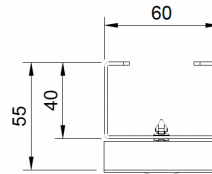
SOLARSPEED 3.0 L-PROFILE PORTRAIT

ARTICLE CODE	PANEL SIZE	A (length)	WEIGHT
1SSP99AC081	1131/1204 mm	1200 mm	770 gr



SOLARSPEED CONNECTOR L-BALLAST 40MM

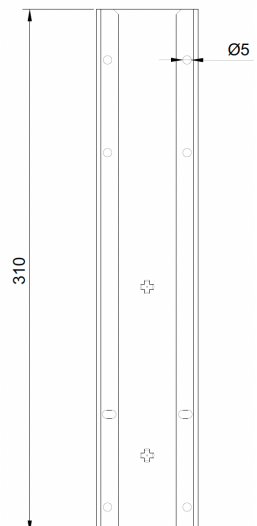
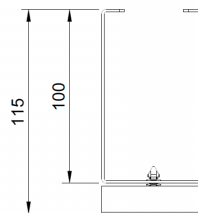
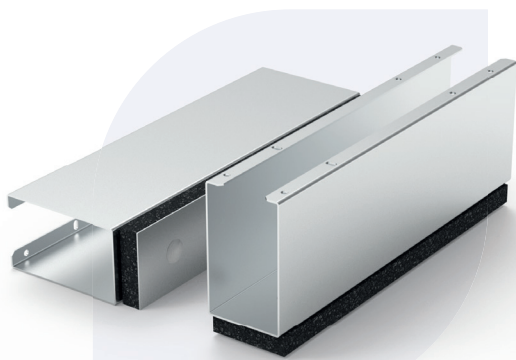
DATASHEET



ARTICLE CODE	1SSP99AC030 1SSP99AC031 (+ alu)
APPLICATION	support L-ballast profiles
MATERIAL	magnelis steel
TOTAL WEIGHT	570 gr
PACKAGING	per piece, 924 pcs/pallet

SOLARSPEED CONNECTOR L-BALLAST 100MM

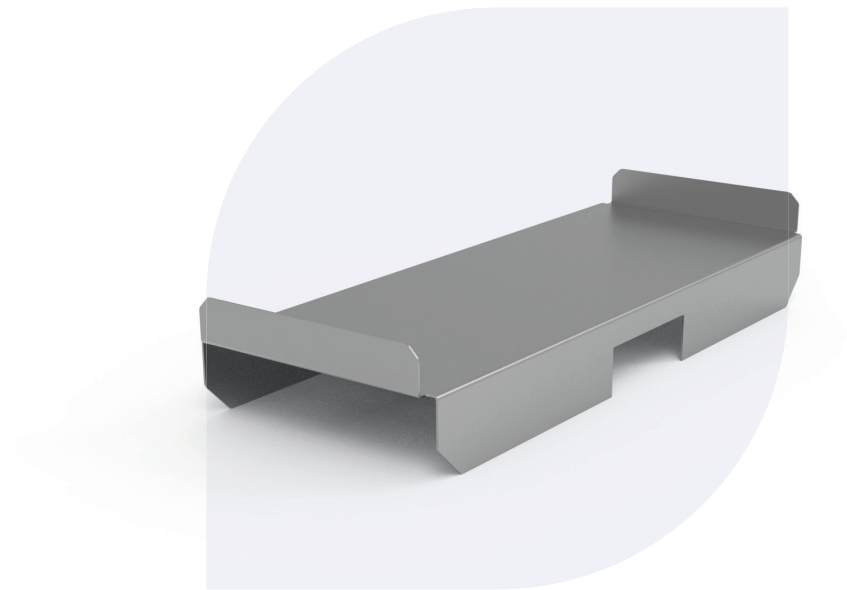
DATASHEET



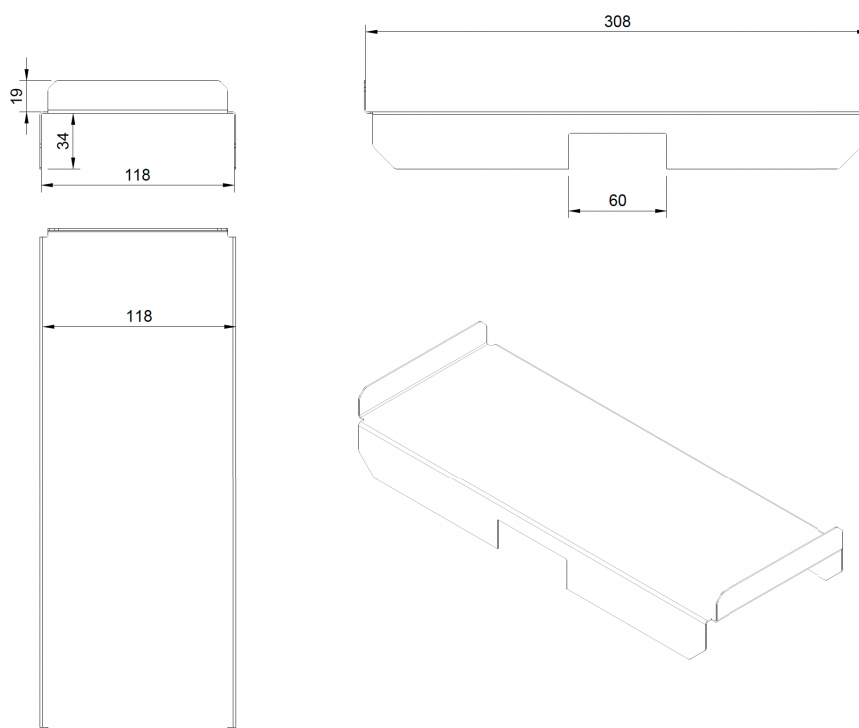
ARTICLE CODE	1SSP99AC028 1SSP99AC029 (+ alu)
APPLICATION	support L-ballast profiles with concrete base
MATERIAL	magnelis steel
TOTAL WEIGHT	838 gr
PACKAGING	per piece, 924 pcs/pallet

SOLARSPEED PORTE-BALLAST

DATASHEET

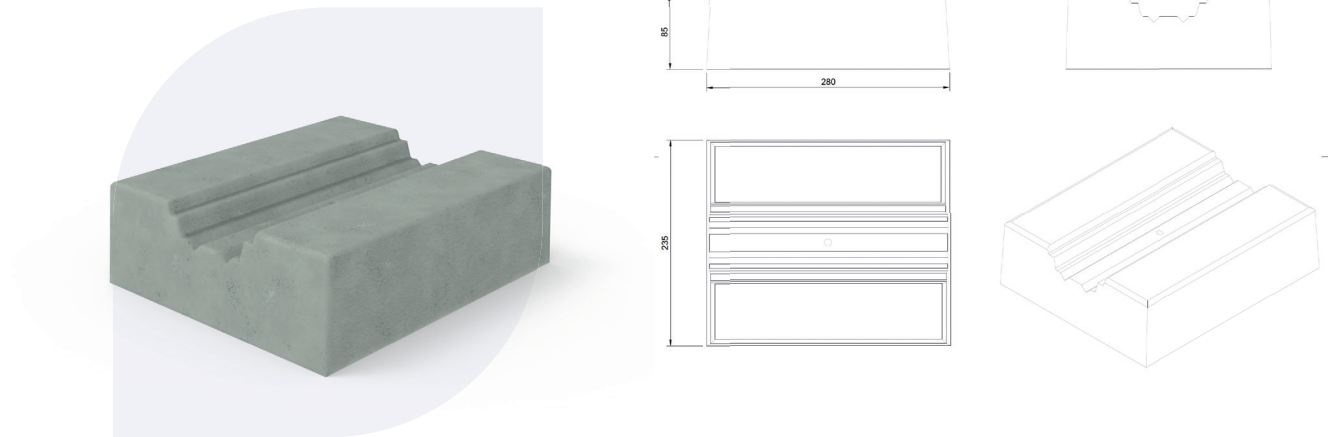


ARTICLE CODE	1SSP99AC001
MATERIAL	magnelis steel
TOTAL WEIGHT	478 gr
PACKAGING	per piece, 900 pcs/pallet



SOLARSPEED CONCRETE BASE + PLUGS

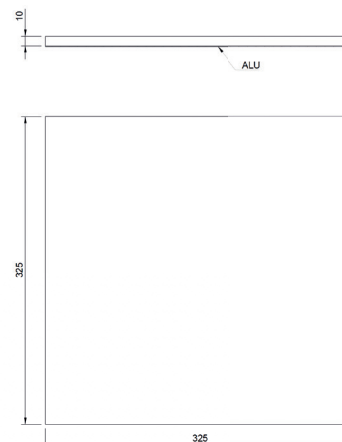
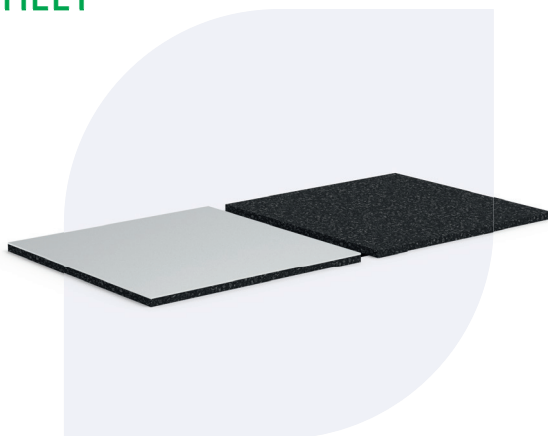
DATASHEET



ARTICLE CODE	1SSP99AC040
MATERIAL	concrete
TOTAL WEIGHT	12 kg
PACKAGING	per piece, 90 pcs/pallet

SOLARSPEED RUBBER 325X325X10MM

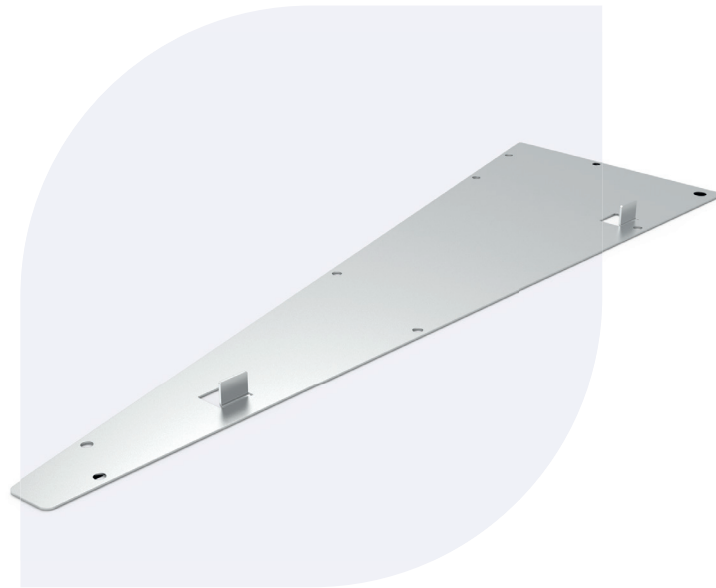
DATASHEET



ARTICLE CODE	1SSP99AC035 1SSP99AC036 (+ alu)
MATERIAL	rubber, rubber + alu
TOTAL WEIGHT	845 gr
PACKAGING	per piece, 900 pcs/pallet

SOLARSPEED 3.0 SIDE PLATE NORTH-SOUTH LANDSCAPE

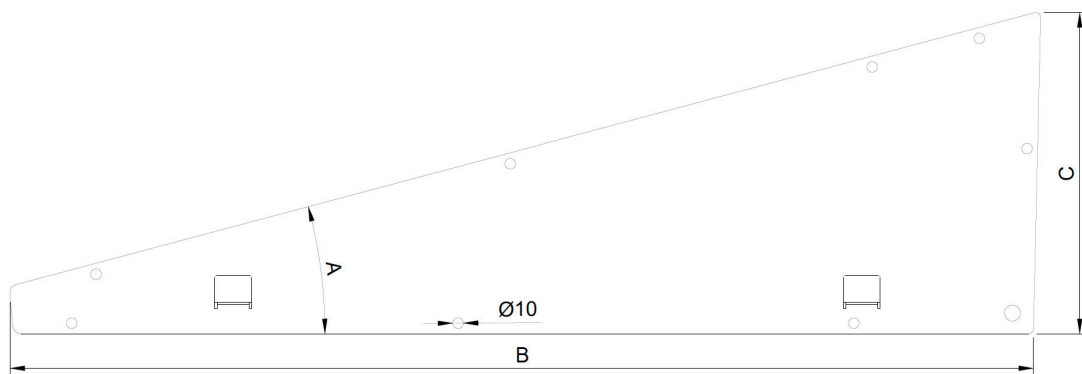
DATASHEET



MATERIAL	magnelis steel
PACKAGING	per piece, 500 pcs/pallet

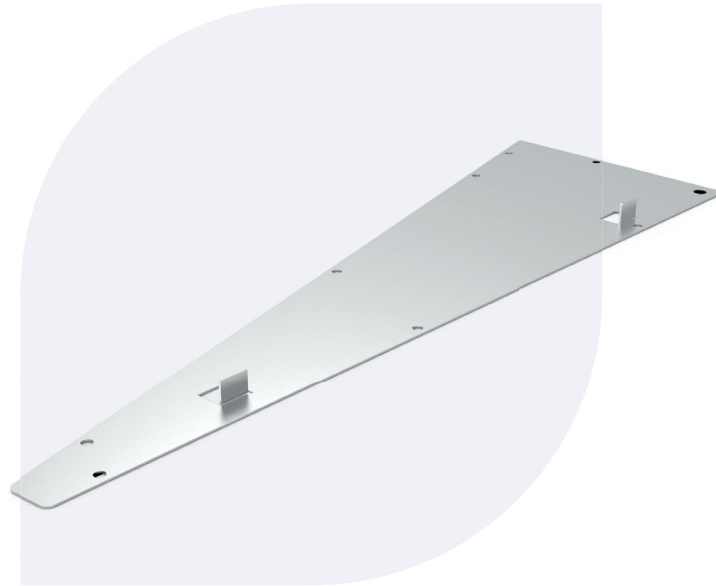
SOLARSPEED 3.0 SIDE PLATE NORTH-SOUTH LANDSCAPE

ARTICLE CODE	A (degrees)	C (height)	WEIGHT
1SSP99AC076	10°	210 mm	910 gr
1SSP99AC063	12,5°	300 mm	750 gr



SOLARSPEED 3.0 SIDE PLATE NORTH-SOUTH PORTRAIT

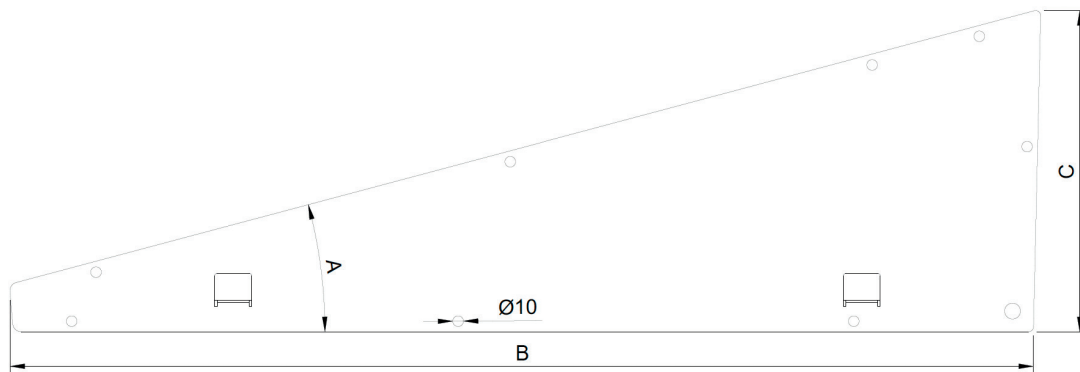
DATASHEET



MATERIAL	magnelis steel
PACKAGING	per piece, 500 pcs/pallet

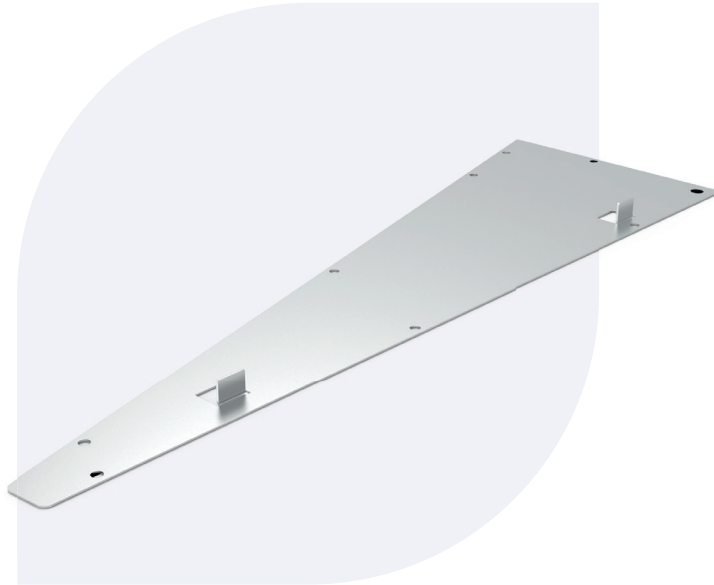
SOLARSPEED 3.0 SIDE PLATE NORTH-SOUTH PORTRAIT

ARTICLE CODE	A (degrees)	B (pitch)	C (height)
1SSP99AC097	10°	1530 mm	320 mm
1SSP99AC072	12,5°	1560 mm	395 mm



SOLARSPEED 3.0 SIDE PLATE EAST-WEST LANDSCAPE

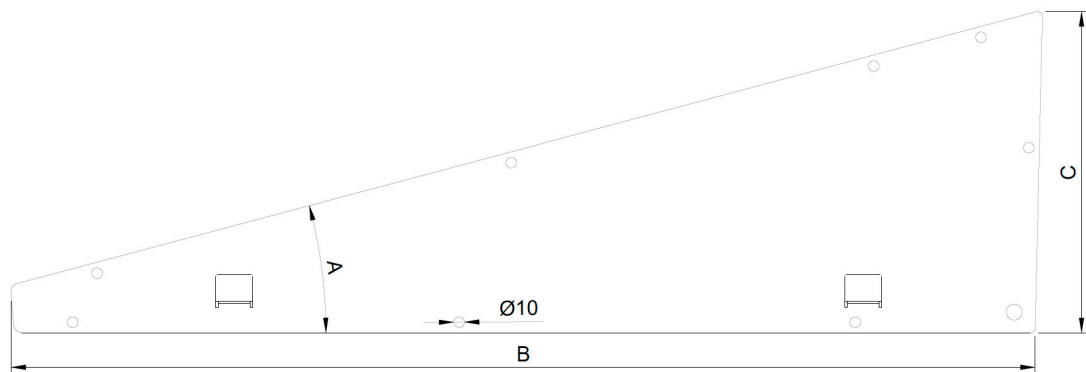
DATASHEET



MATERIAL	magnelis steel
PACKAGING	per piece, 500 pcs/pallet

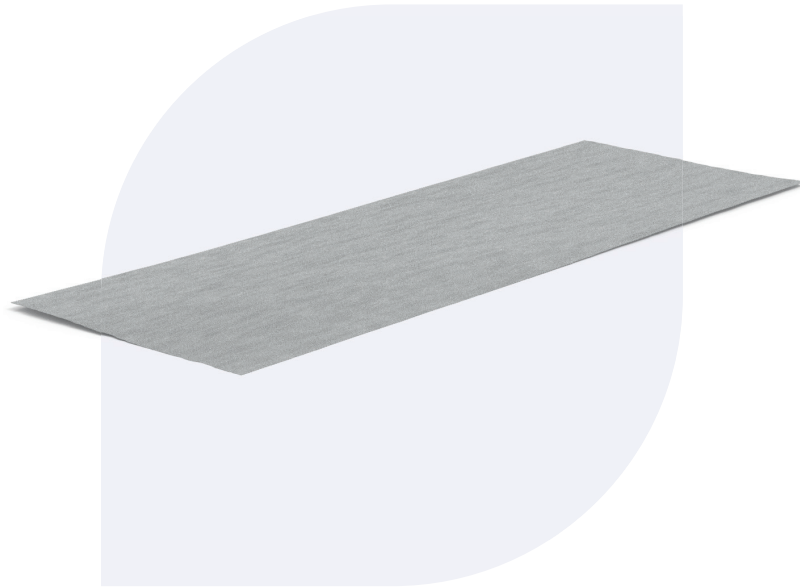
SOLARSPEED 3.0 ZIJPLAAT OOST-WEST LANDSCAPE

ARTICLE CODE	A (degrees)	B (pitch)	C (height)	WEIGHT
1SSP99AC065	12,5°	980 mm	250 mm	670 gr

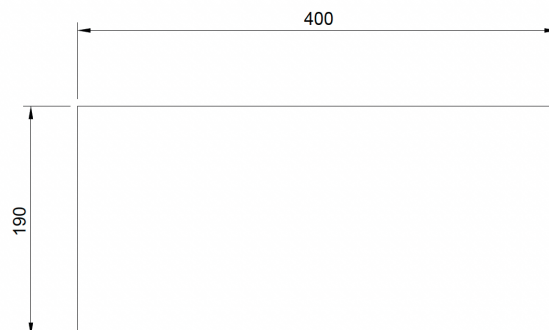


SOLARSPEED GEOTEX

DATASHEET

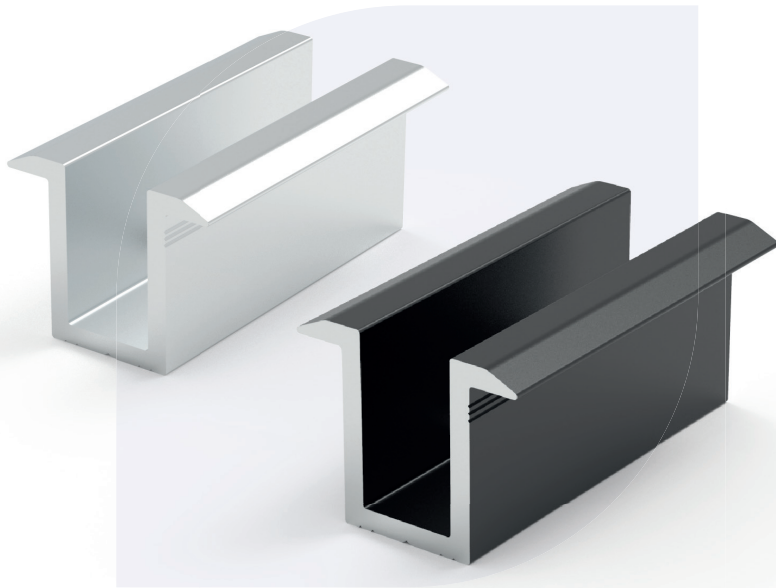


ARTICLE CODE	1SSP99AC039
APPLICATION	alternative for alu under rubber
MATERIAL	geotex
TOTAL WEIGHT	20 gr
PACKAGING	per piece

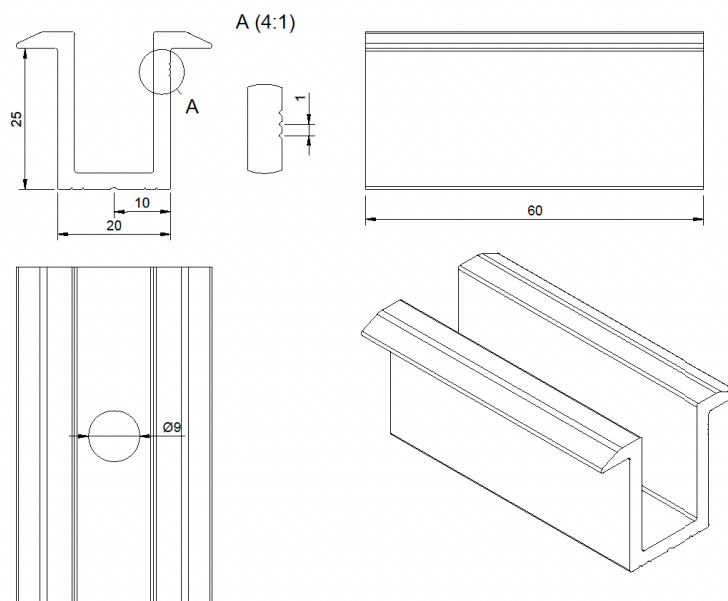


MIDDLE CLAMP BASIC LENGTH 60MM

DATASHEET



ARTICLE CODE	1AHM32SR085 (alu) 1AHM32SR086 (black)
MATERIAL	ALU6063T5
TOTAL WEIGHT	50 gr
PACKAGING	100 pcs/box (packed per 10), 9,000 pcs/pallet

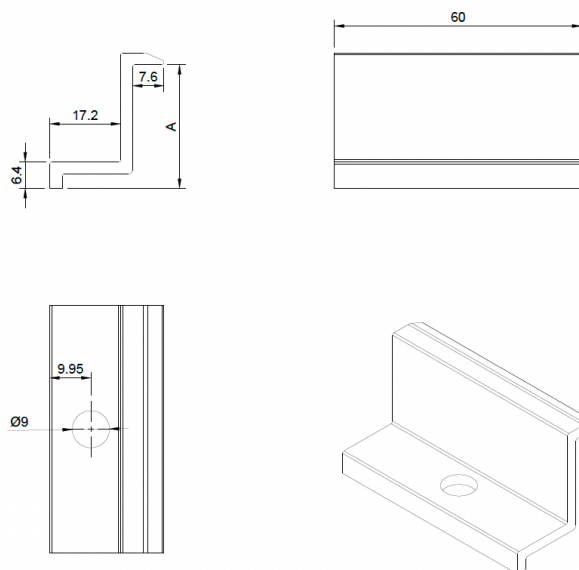


END CLAMP 30MM LENGTH 60MM

DATASHEET



ARTICLE CODE	1AHM32SR069 (alu) 1AHM32SR070 (black)
MATERIAL	ALU6063T5
TOTAL WEIGHT	30 gr
PACKAGING	300 pcs/box (packed per 20), 27,000 pcs/pallet



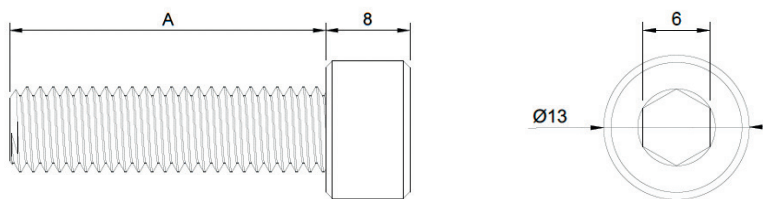
	ALU	BLACK	WEIGHT
30 mm	1AHM32SR069	1AHM32SR070	30 gr
35 mm	1AHM32SR071	1AHM32SR072	30 gr

ALLEN BOLT M8X20

DATASHEET



ARTICLE CODE	1AHM10BT015
MATERIAL	stainless steel A2
TOTAL WEIGHT	10 gr
PACKAGING	200 pcs/box



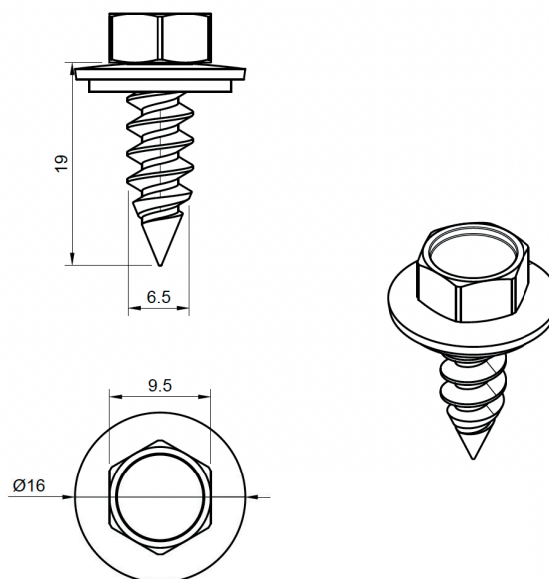
	ALLEN BOLT	WEIGHT
M8x20	1AHM10BT015	10 gr
M8x25	1AHM10BT017	20 gr
M8x30	1AHM10BT019	20 gr

PLATE SCREW 6,5X19MM

DATASHEET



ARTICLE CODE	1AHM46PL001
MATERIAL	stainless steel A2
TOTAL WEIGHT	6 gr
PACKAGING	100 pcs/box



SOLARSPEED RAIL OPENER

DATASHEET



ARTICLE CODE	1SSP99AC092
MATERIAL	galvanized steel
PACKAGING	per piece

SOLARSPEED CALIBRATION BAR



ARTICLE CODE	A (length)	B (length)
1SSP99AC033	1750 mm	1680 mm
1SSP99AC062	2100 mm	2000 mm
1SSP99AC061	2250 mm	2180 mm

ARTICLE CODE	1SSP99AC033
MATERIAL	magnelis steel
PACKAGING	per piece

TOTAL SUPPLIER
FOR GREEN ENERGY SOLUTIONS

info@allimex-greenpower.eu
www.allimexgreenpower.com

Headquarters

Transportstraat 1B, 3980 Tessenderlo, Belgium
+32 (0) 11 72 96 50
BE 0535 679 035

Dutch branch

Teugseweg 9, 7418 AM Deventer, the Netherlands
+31 (0) 85 732 69 46
NL 860425289B01